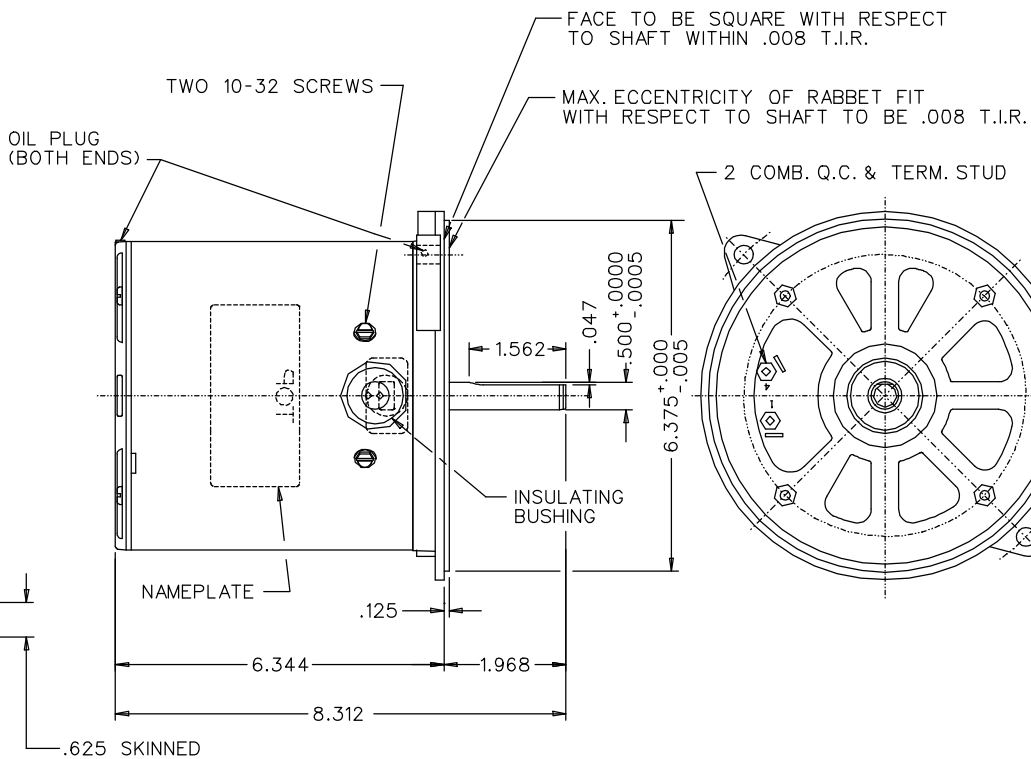
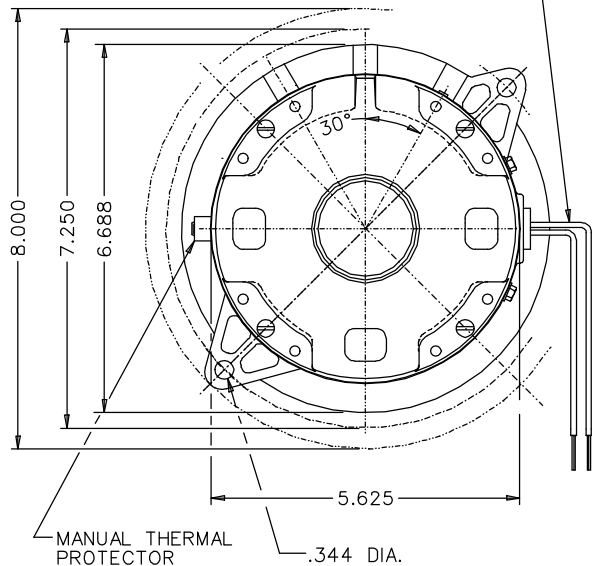


2 LEADS #18, .031 THICK INSUL.
TO EXTEND BEYOND MOTOR.

BLACK=20.0⁺²/₀; WHITE=20.0⁺²/₀



MODEL	REF.	CUSTOMER	HP.	VOLTS	AMPS	HZ.	R.P.M.	ROTATION	BEARING	CUST. PT. NO.	
SD55GYSBB-4526		STANDARD	1/4	115	3.7	60	3450	C.C.W. DRIVE END REV.	SLEEVE	CAT *2302	
REVISION RECORD FOR: E.C.O. 201838				INFORMATION DISCLOSED ON THIS DOCUMENT IS CONSIDERED PROPRIETARY AND SHALL NOT BE REPRODUCED OR DISCLOSED WITHOUT WRITTEN CONSENT OF EMERSON ELECTRIC COMPANY.							
PAGE 1 OF 1	SUPERCEDES BOARD DRAWING DATED 3-23-83, LAST REVISION DATED 1-20-87										
REVISION DATE				ALL DIMENSIONS ARE FOR REFERENCE ONLY UNLESS TOLERANCE IS GIVEN.				TITLE	CODE	ITEM NO.	SIZE
04FE00								ASSEMBLED VIEW	V01	726676	B
ISSUED BY	REVIEWED BY	ENGINEER APPROVED									
D. HUMMEL	D. HUMMEL	T. SARANITA									