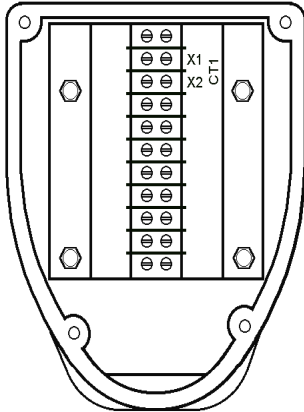


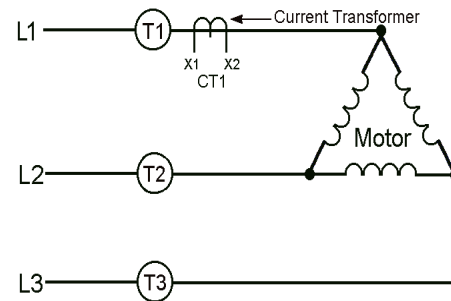
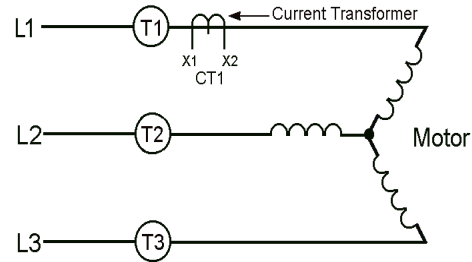


Motor Wiring Diagram

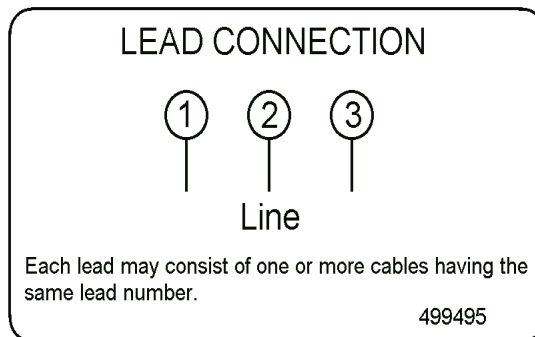
Single Voltage, Wye or Delta Connected,
With Single Current Transformer



1.) Current Transformer leads are terminated in an Accessory Outlet Box mounted to the Main Outlet Box.



WYE
OR
DELTA



To reverse direction of rotation, interchange leads L1 & L2.

Each lead may have one or more cables comprising that lead. In such case, each cable will be marked with the appropriate lead number.