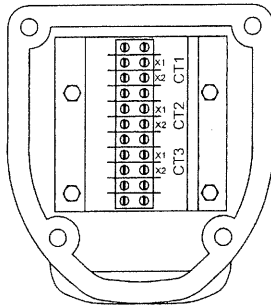


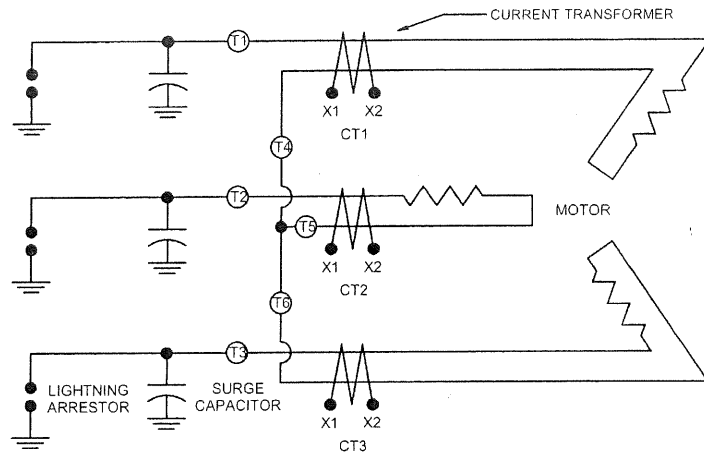


Motor Wiring Diagram

2 Speed, 2 Winding, Single Voltage, Wye Connected, With Current Transformers, Lightning Arrestors & Surge Capacitors  
Low Speed Winding



1. ATTACH INCOMING POWER LEADS TO THE LIGHTNING ARRESTOR TERMINALS.
2. CURRENT TRANSFORMER LEADS ARE TERMINATED IN AN ACCESSORY OUTLET BOX MOUNTED ON THE MAIN OUTLET BOX.



INSTRUCTIONS	
CONNECTIONS - EACH LEAD MAY CONSIST OF	ONE OR MORE CABLES: L1-T1, L2-T2, L3-T3
T4, T5, T6 TOGETHER	
FOR CURRENT TRANSFORMERS (IF PRESENT)	
LEADS 1 & 4 THROUGH	CT1
LEADS 2 & 5 THROUGH	CT2
LEADS 3 & 6 THROUGH	CT3
LOW SPEED	
MADE IN U.S.A.	359292

To reverse direction of rotation, interchange leads L1 & L2.  
 Each lead may have one or more cables comprising that lead.  
 In such case, cable will be marked with the appropriate lead number.

Connection Plate: 958798

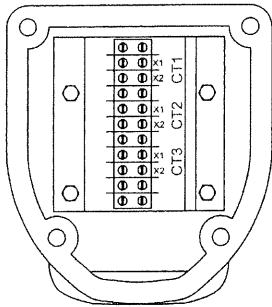
Connection Decal: -----

Issued: 9/23/05 REP

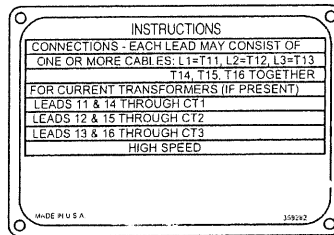
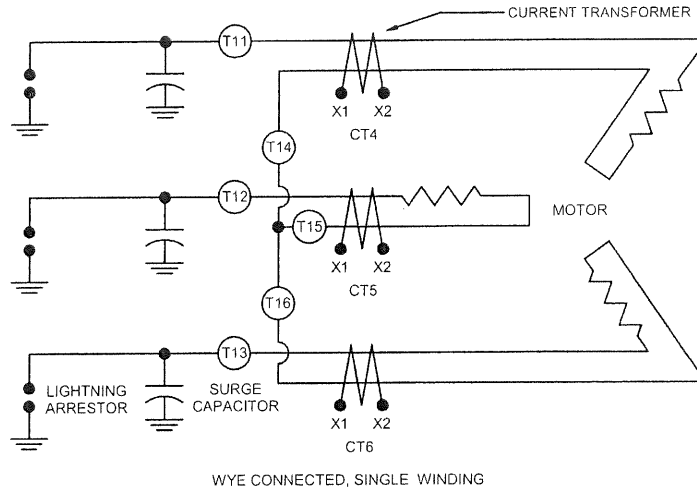


**Motor Wiring Diagram**

2 Speed, 2 Winding, Single Voltage, Wye Connected, With Current Transformers, Lightning Arrestors & Surge Capacitors  
High Speed



1. ATTACH INCOMING POWER LEADS TO THE LIGHTNING ARRESTOR TERMINALS.
2. CURRENT TRANSFORMER LEADS ARE TERMINATED IN AN ACCESSORY OUTLET BOX MOUNTED ON THE MAIN OUTLET BOX.



To reverse direction of rotation, interchange leads L1 & L2.  
Each lead may have one or more cables comprising that lead.  
In such case, cable will be marked with the appropriate lead number.

Connection Plate: -----

Connection Decal: -----

Issued: 9/23/05 REP