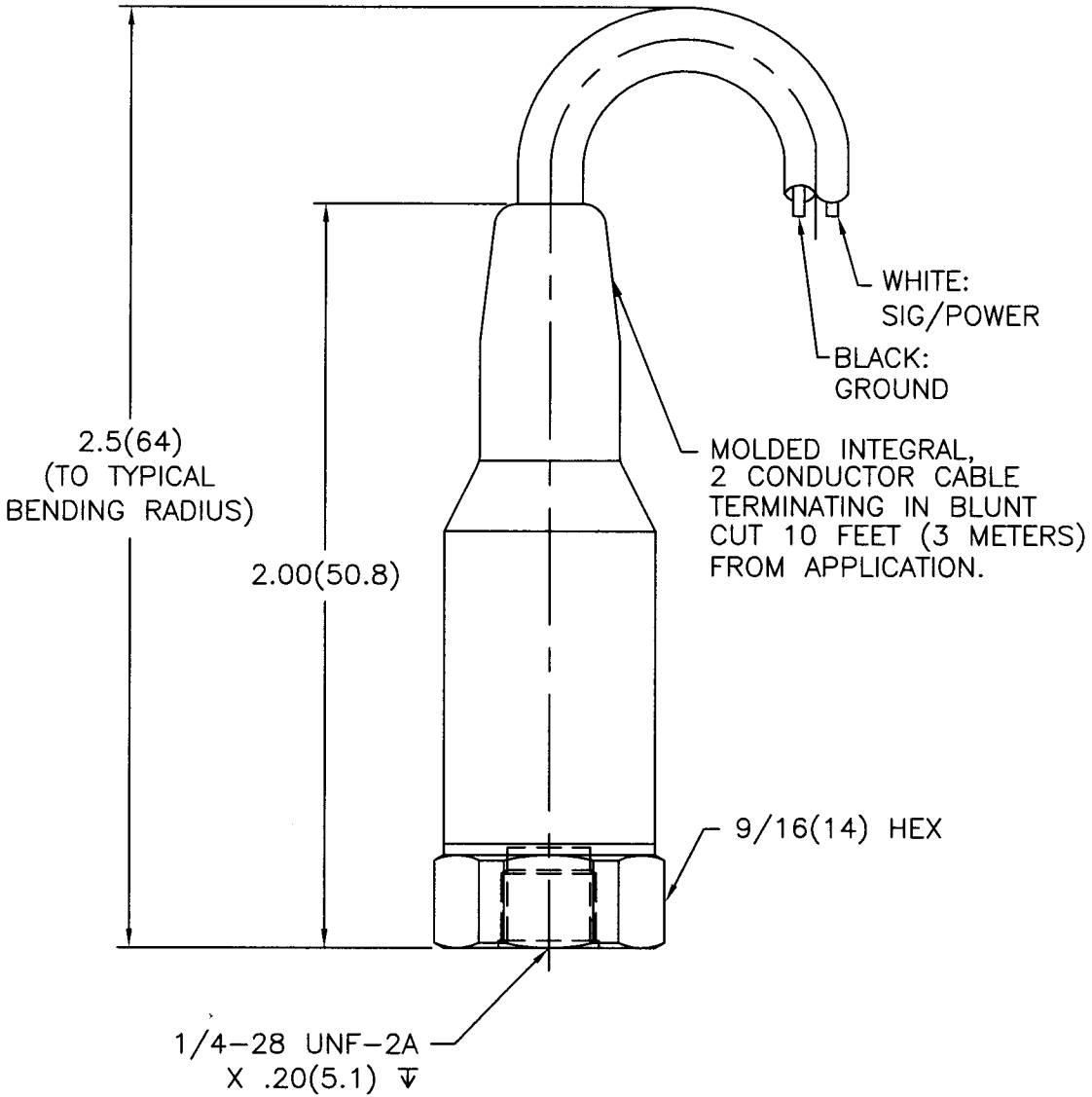


12013

PCB Piezotronics Inc. claims proprietary rights in the information disclosed herein. Neither it nor any reproduction thereof will be disclosed to others without written consent of PCB Piezotronics Inc.

APPLICATION		
NEXT ASS'Y	USED ON	VAR

REVISIONS				
REV	DESCRIPTION	ECN	DATE	APP'D
A	UPDATE FOR UNIFORMITY	13113	2/21/01	<i>DMB/07</i>



UNLESS SPECIFIED TOLERANCES		DRAWN <i>MWS</i> 3.12.01		MFG	<i>SL</i> 3/21/01	 3425 WALDEN AVE. DEPEW, NY 14043 (716) 684-0001 EMAIL: SALES@PCB.COM	
DIMENSIONS IN INCHES	DIMENSIONS IN MILLIMETERS (IN PARENTHESIS)	CHK'D	<i>ASM</i> 3/16/01	ENGR	<i>U.F.</i> 3/19/01		
DECIMALS XX ±.01 XXX ±.005	DECIMALS XX ±0.3 XXX ±0.13	APP'D	<i>MJ</i> 3/26/01	SALES	<i>EGY</i> 3/23/01		
ANGLES ±2 DEGREES	ANGLES ±2 DEGREES	TITLE		CODE IDENT. NO.	DWG. NO.		
FILLETS AND RADII .003 - .005	FILLETS AND RADII (0.07 - 0.13)	OUTLINE DRAWING MODEL 608A11, M ACCELEROMETER				52681	12013
DD011 REV. B 03/13/98						SCALE: 2X	SHEET 1 OF 1