

Model 5550

The Model 5550 vibration switch is designed to meet all requirements for mechanical switches in a single, affordable package. This unit provides economical vibration protection for low to medium speed machinery. An inertia sensitive mechanism activates an snap-action switch with SPDT output contacts if the vibration exceeds an adjustable setpoint.

The Model 5550 contacts can be used to activate an alarm or initiate equipment shutdown. The housing is weatherproof with an optional hazardous area rating. Electrical (remote) reset with start-up time delay and a second set of SPDT output contacts to accommodate DPDT needs (e.g. separate trip and trip light circuits) are available.

Features

- Meets all requirements for mechanical switches in one package
- Weatherproof and optional hazard area rating
- Local and optional remote reset with startup delay
- SPDT or (2)SPDT switch output contacts

Applications

- Heat Exchanger Fans
- Cooling Tower Fans
- Recip Engines
- Recip Compressors

Application Note:

For an upgrade to velocity (ips or mm/s) monitoring or for dual limits (i.e. separate alarm and trip setpoints), see [SW Series electronic switches](#).

Specifications

Function: Armature mechanism trips on high vibration and operates snap action switch(es).

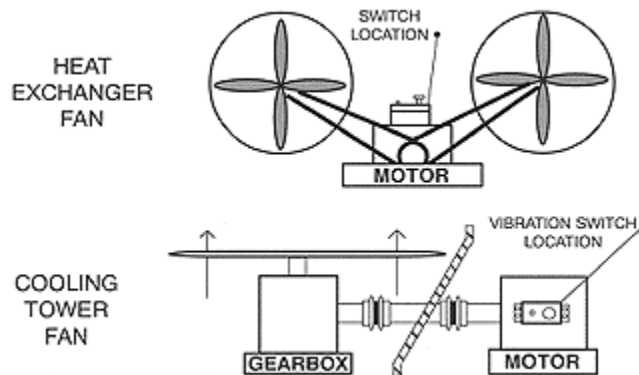
Vibration Range: See How to Order "C"

Frequency Range: 0 to 3600 RPM

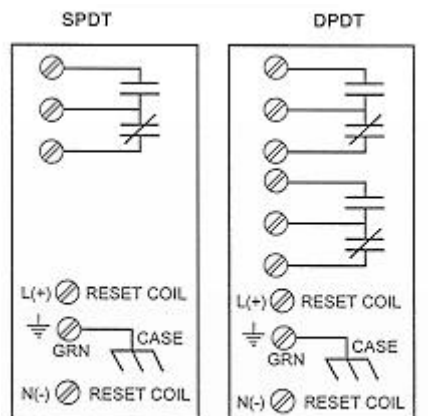
Set Point Adjust: 0 to 100% of range. External set point adjustment.

Reset: Local reset, plus optional remote reset electrical

Typical Installation Diagrams



User Wiring Diagrams



DPDT CONTACTS AND RESET COIL OPTIONAL

Weight & Dimensions



coil. See How to Order "D".

Start Delay: Applying reset coil voltage at start up holds mechanism from tripping for 20-30 seconds, after which the switch is automatically activated. Requires electric reset option (D cannot = 0).

Temperature Limit: -40° to +70°C (-40° to +158° F)

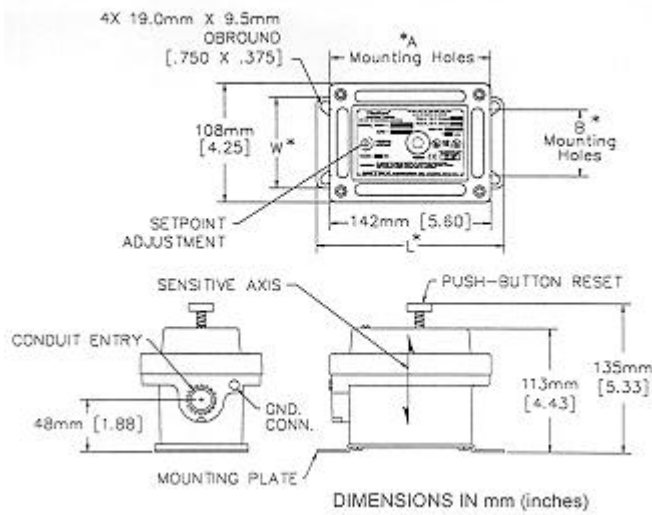
Enclosure: Cast Aluminum Alloy 413

Environmental Rating: NEMA 4, IP 65 & CE mark; optional NEMA 4X housing and mounting plate with clear powder coat and S.S. label

Switch Contact(s) Rating: 15 amps, 125, or 480 vac; 1/8 hp, 125 vac; 1/4 hp, 250 vac; 1/2 amp, 125 vdc; 1/4 amp, 250 vdc.

Hazard Rating: See How to Order "A"

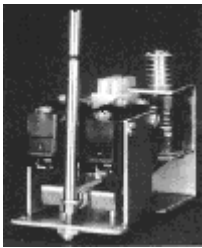
Weight: 1.8 kg (4.0 lbs.)



How To Order...

MODEL	A	B	C	D	E	F
5550 -	<input type="text"/>	<input type="text"/>	<input type="text"/>	-	<input type="text"/>	<input type="text"/>
Standard						
5550 -	0	1	1	-	0	1

Internal Mechanism



A Hazard Area Rating

- 0= None
- 1= UL, cUL Explosion Proof Class I, Grps. C & D, Div 1; Class II, Grps. E - G, Div 1
- 2= UL, cUL Explosion Proof Class I, Grps. B - D, Div 1; Class II, Grps. E - G, Div 1
- 3= CENELEC Flameproof EEx d IIB T6
- 4= CENELEC Flameproof EEx d IIB+H2 T6

B Contacts

- 1= SPDT
- 2= (2) SPDT (use for DPDT too)

C Full Scale Vibration Range

- 1= 5 g
- 2= 2 g
- 3= 10 g

D Reset Coil & Start Up Delay

- 0= None
- 1= 115 VAC
- 2= 230 VAC
- 3= 24 VDC
- 4= 115 VDC

E Wiring Entry/ Mounting Plate

- 1= 3/4" NPT/Metrix 5173 or 5175
- 2= 3/4" NPT/Metrix 5097; VS-2-EX; 366
- 3= 3/4" NPT/Metrix 5078; 365
- 4*= M20 x 1.5/Metrix 5097; VS-2-EX; 366
- 6*= M20 x 1.5/Metrix 5173 or 5175
- 7= 3/4" NPT/PMC-Beta 440

* For E = 4 or 6, A cannot = 1 or 2.

F Environmental Rating

- = Blank/Not Required (NEMA 4, IP65)
- 1 = NEMA 4X

	(L)	(W)	(A)	(B)
E = 1;6	165 mm [6.50]	38 mm [3.25]	141 mm [5.56]	59 mm [2.33]
E = 2;4	152 mm [6.00]	121 mm [4.75]	118 mm [4.63]	79 mm [3.12]
E = 3	165 mm [6.50]	121 mm [4.75]	136 mm [5.37]	92 mm [3.62]

E = 7	114 mm [4.50]	127 mm [5.00]	71 mm [2.80]	108 mm [4.25]
-------	------------------	------------------	-----------------	------------------

Once you have chosen your model you may proceed.

Add to shopping cart

Reset form

[Back To Previous](#) | [Home Page](#) | [Catalog - Table of Contents](#)