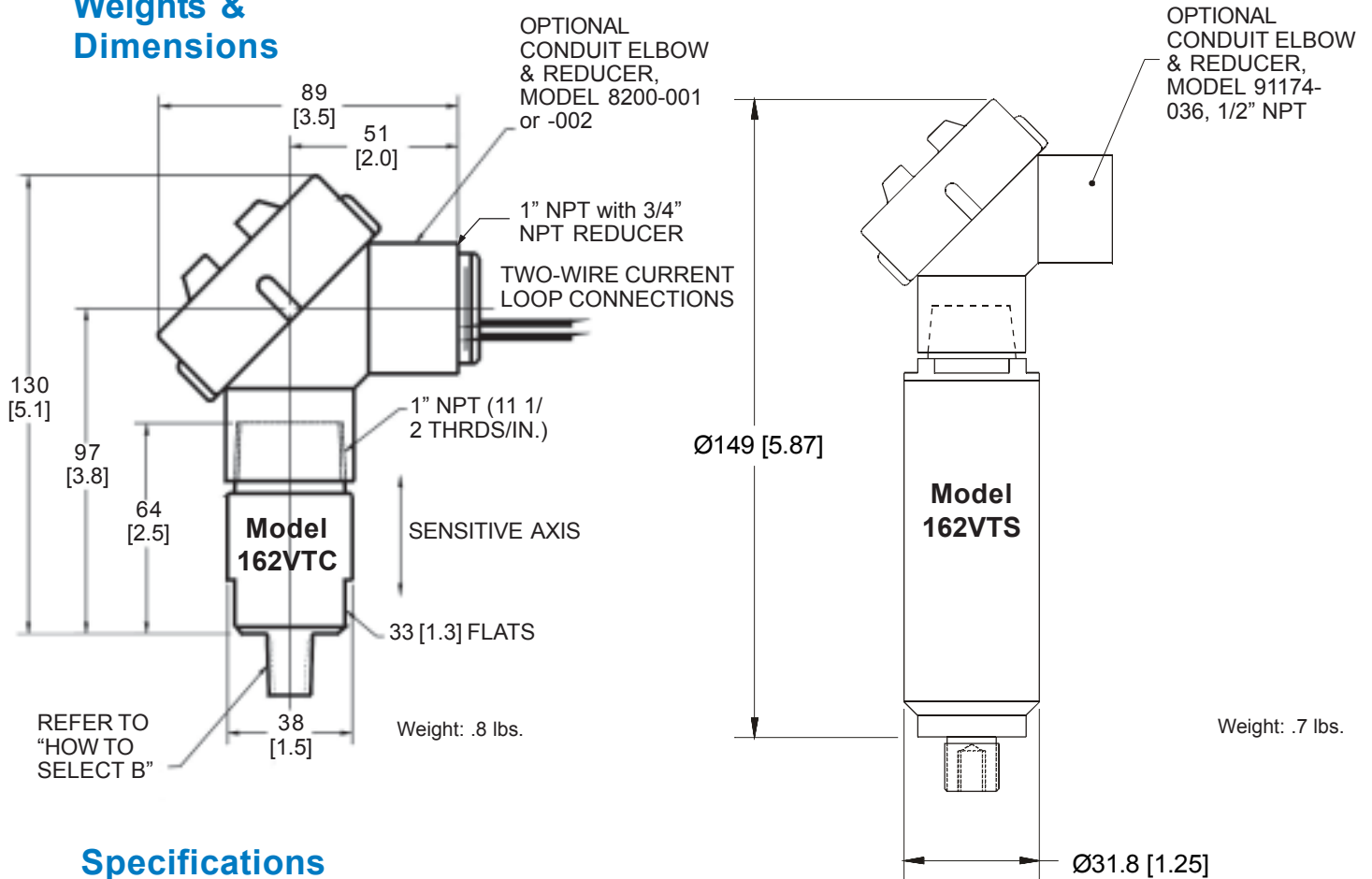
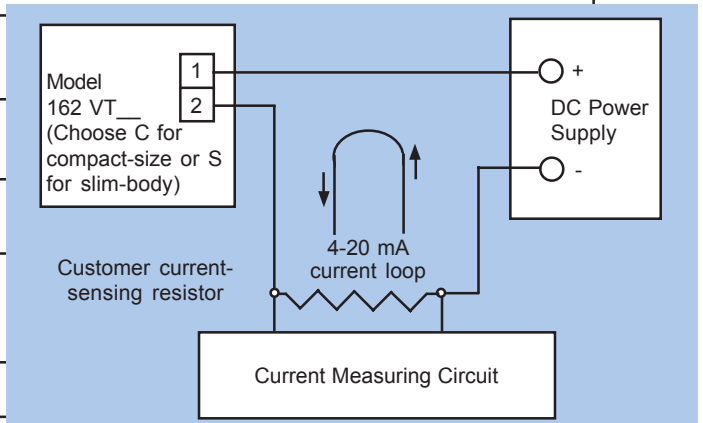


Weights & Dimensions



Specifications

Vibration Range:	4 to 20 mA output proportional to velocity. Refer to "How to Select A" for ranges. Nonstandard ranges available.
Dynamic Signal:	Acceleration, 100 mV/g. The dynamic signal has the same frequency range as in "How to Select E/F". 6 dB / oct high pass and 12 dB / oct low pass response.
Frequency Response:	Standard: 2 - 1500 Hz, available up to 2000 Hz Refer to "How to Select E/F". 12 dB / oct high pass and low pass filters are used.
Axis Orientation:	Any
Supply Voltage (Vs):	11 to 30 VDC, Non-polarity sensitive, IPT™
Isolation:	500Vrms, circuit to case
Electrical Connection:	Flying leads w/18 AWG wire 457 mm (24 in.) long, terminals (accepts up to 16 AWG wire) or MIL style 2-pin connector
Maximum Load Resistance (R_L):	$R_L = 50 \times (V_{supply} - 11)$ ohms
Service Temp. Rating:	-40° to 100°C
Enclosure Materials:	303 SS
Enclosure Environmental Rating:	NEMA 4X, IP 65, IP 67 for 2 pin style connector
Approvals:	Refer to "How to Select C".



Compact-Size Transmitter



A - Full Scale

1	2	1	= 1.0 ips (25.4 mm/s), pk
1	2	3	= 2.0 ips (50.8 mm/s), pk
1	2	6	= 0.8 ips (20.3 mm/s), pk
1	3	4	= 1.97 ips (50.0 mm/s), pk
2	0	0	= 1.60 ips (40.6 mm/s), pk
2	0	1	= .32 ips (8.0 mm/s), pk
2	0	2	= .64 ips (16 mm/s), pk
2	0	3	= 1.26 ips (32.0 mm/s), pk
2	0	4	= 2.52 ips (64.0 mm/s), pk
2	0	5	= 3.2 ips (81.3 mm/s), pk
2	0	6	= 0.4 ips (10.2 mm/s), pk

B - Mounting

0	= Integral 1/4" NPT
1	= Integral 1/2" NPT
2	= 3/8 - 24 UNF X 1/2"
3	= 1/2 - 20 UNF X 1/2"
4	= M8X 1 - 12
5	= M10X 1.25 - 12

C - Hazardous Area Rating

1	= Non-hazardous & CSA/NRTL/C (for all connections) Class 1, Div 2, Grps A-D
2	= Class 1, Div 1, Grps B-D & Class 2, Div 1, Grps E-G (only avail. w/flying leads config)

E - HP Filter

0	= No filter (2Hz)
1	= 5 Hz
2	= 10 Hz
3	= 20 Hz
4	= 50 Hz
5	= 100 Hz
6	= 200 Hz



D - Connection

0	= 4-20 mA; Flying leads (C = 1 or 2)
1	= 4-20 mA & Dynamic Signal; Flying leads (C = 1 or 2)
2	= 4-20 mA; 2-pin terminal block (C = 1)
3	= 4-20 mA & Dynamic Signal; 4-pin terminal block (C = 1)
4	= 4-20 mA; 2-pin MS connector (C = 1)

F - LP Filter

0	= No filter (1500 Hz)
1	= 500 Hz
2	= 1000 Hz
3	= 2000 Hz

Slim-body Transmitter



A - Full Scale

1	2	1	= 1.0 ips (25.4 mm/s), pk
1	2	3	= 2.0 ips (50.8 mm/s), pk
1	2	6	= 0.8 ips (20.3 mm/s), pk
1	3	4	= 1.97 ips (50.0 mm/s), pk
2	0	0	= 1.60 ips (40.6 mm/s), pk
2	0	1	= .32 ips (8.0 mm/s), pk
2	0	2	= .64 ips (16 mm/s), pk
2	0	3	= 1.26 ips (32.0 mm/s), pk
2	0	4	= 2.52 ips (64.0 mm/s), pk
2	0	5	= 3.2 ips (81.3 mm/s), pk
2	0	6	= 0.4 ips (10.2 mm/s), pk

B - Mounting

0	= Integral 1/4" NPT
1	= Integral 1/2" NPT
2	= 3/8 - 24 UNF X 1/2"
3	= 1/2 - 20 UNF X 1/2"
4	= M8X 1 - 12
5	= M10X 1.25 - 12
6	= 1/2" NPT + 1/4-20 tapped hole
7	= 1/2" NPT + 1/4-28 tapped hole
8	= 1/4"-20 UNC Stud

C - Hazardous Area Rating

3	= None
4	= Class 1, Div 1, Grps B-D and Class 2, Div 1, Grps C-G. Available on the 1/2" NPT Top only.



D - Connection

5	= 4-20 mA; 1/2" NPT top
6	= 4-20 mA; 3 pin MS connector (C = 3)
7	= 4-20 mA; cable gland (C = 3)
8	= 4-20 mA; cable gland w/ 20' red cable

E - HP Filter

0	= No filter (2Hz)
1	= 5 Hz
2	= 10 Hz
3	= 20 Hz
4	= 50 Hz
5	= 100 Hz
6	= 200 Hz

F - LP Filter

0	= No filter (1500 Hz)
1	= 500 Hz
2	= 1000 Hz
3	= 2000 Hz

Accessories for 162 VTC and VTS



7084-001, Stainless Steel Flange Mount Adaptor

Provides a means to surface mount transmitters rather than NPT stud (1/2" NPT center hole). Three equally spaced 6.6 mm (0.26") diameter mounting holes on 38 mm (1.50") diameter circle.

7084-002, Flange Mount Adaptor

Same as 7084-001, except center hole is 1/4" NPT. Material: SS



8253-002, Bushing

Bushing for 1/2" NPT mount when screwed onto standard 1/4" NPT base. Material: stainless steel.

8169-75-002-XXX, Two-wire, Cable Assembly

2 conductor (20 AWG) twisted, shielded PVC jacketed cable, with plated steel grip for cable strain relief, male 3/4" NPT end. Specify -XXX for length in feet. Example: 8169-75-002-010 = 10 ft (3.1M). Material: zinc plated steel.



Accessories for 162 VTC Series



8200-001, Conduit Elbow & Reducer

Provides access and physical protection for field wiring. Suitable for Class I, Div. 1 (Grps C & D) and Class II, Div. 1 (Grps E, F & G), hazardous areas. 1" to 3/4" NPT reducer for customer connection included. NEMA 4 IP 65. Material: copper free aluminum.

8200-002, Conduit Elbow & Reducer

Conduit Elbow with terminal block



8200-005, Stainless Steel Conduit Elbow & Reducer

Provides access and physical protection for field wiring. 1/2" NPT suitable for Class I, Div. 1 (Grps B, C & D)*, Class II, Div. 1 (Grps E, F & G)*. Material: stainless steel

8200-006, Conduit Elbow & Reducer

Stainless Steel Conduit Elbow with terminal block



8201-001, Conduit Union

Fits between transmitter and 8200-001 conduit elbow to facilitate installation and wiring where there is not enough room to rotate the elbow. Suitable for Class I, Div. 1 (Grps A, B, C & D) and Class II, Div. 1 (Grps E, F & G), hazardous areas. Material: zinc plated steel.

Accessories for 162 VTS Series



91174-036, Conduit Elbow & Reducer

Provides access and physical protection for field wiring. Suitable for Class I, Div. 1 (Grps C & D) and Class II, Div. 1 (Grps E, F & G), hazardous areas. 1/2" to 1/2" NPT reducer for customer connection included. NEMA 4 IP 65. Material: copper free aluminum.

8200-004, Conduit Elbow

Conduit Elbow with terminal block, 1/2" to 1/2" NPT female.

Accessories for VTC 2 Pin MS Style Connector



8978-111-XXXX, Splashproof Cable Assembly

Two (2) pin socket connector with integral, molded splash proof boot with 6.4 mm (0.25") diameter polyurethane jacketed cable with twisted shielded pair wires. xxx.x = Cable length in meters.



9334-111-YYYY-XXXX, Splashproof Cable Assembly w/SS Armor

Two (2) pin socket connector with integral, molded splash proof boot with 7.1 mm (0.28") diameter, SST armored jacket with cable, twisted shielded pair wires. xxx.x = Cable length in meters. yyy.y = Armor length in meters.



8978-211-XXXX, Cable Assembly

Two (2) pin socket connector with cable strain relief with 6.4 mm (0.25") diameter polyurethane jacketed cable with twisted shielded pair wires. xxx.x = Cable length in meters.

Note: All 8978 connector/cable assemblies rated to 121°C (250°F) max.



9334-211-XXXX-YYYY, Cable Assembly, w/SS Armor

Two (2) pin socket connector with 7.1 mm (0.28") diameter, SS armored jacket with cable, twisted shielded pair wires. xxx.x = Cable length in meters. yyy.y = Armor length in meters.



8978-200-0000, Connector Assembly

Two (2) pin socket connector with cable strain relief, no cable.

Supporting Accessories for MS Style Connector



93818-004, Cable Grip Strain Relief Fitting

3/4" NPT male thread to cable grip. Diameter range: .156" to .25". Complete with sealing ring and locknut. Hot dip / mechanically galvanized finish. Suitable for NEMA 4 enclosures.



93818-018, Armored Cable Grip Strain Relief Fitting

3/4" NPT male thread to cable grip. Armor diameter range: .40" to .50". Complete with sealing ring and locknut. Hot dip / mechanically galvanized finish. Suitable for NEMA 4 enclosures.

8841-058, 1" to 1/2" Reducer Retrofit adapter