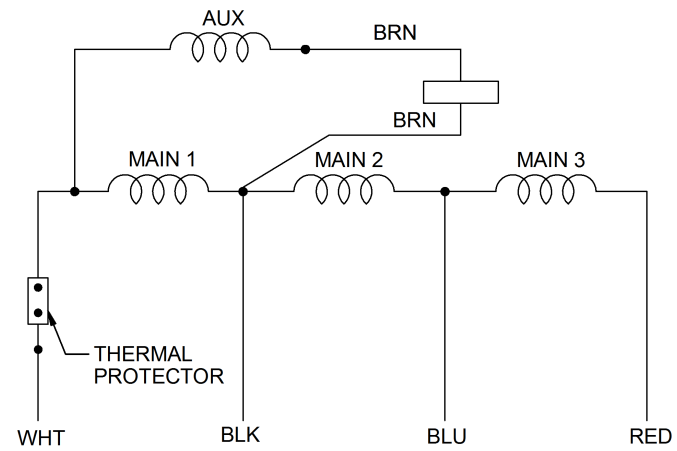
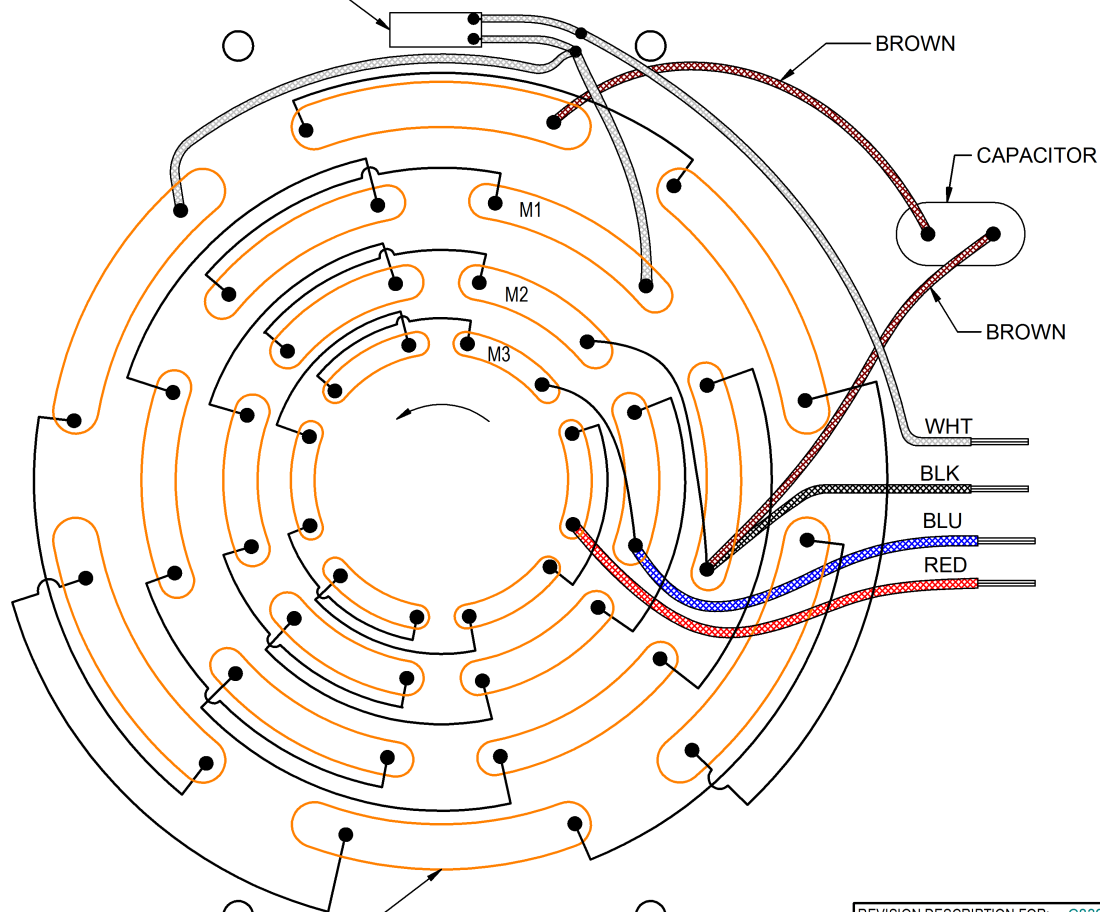


NOTE: LEAD CONNECTIONS TO BE STAGGERED ALONG WINDING TO ELIMINATE EXCESSIVE BLOCKING PRESSURE ON WINDING UNDERNEATH

LACE PROTECTOR IN THIS LOCATION

ROTATION IS COUNTER CLOCKWISE VIEWING LEAD END



COLOR CODE

WHITE -- COMMON
 BLACK -- HIGH
 BLUE --- MED
 RED ---- LOW
 BROWN - CAPAC.

STATOR STUDS
 BOTTOM OF MOTOR
 VIEWING LEAD END

REVISION DESCRIPTION FOR: C8396-00		SCALE: NONE	UNITS: INCHES	TITLE: DIAGRAM OF CONNECTIONS		NIDEC MOTOR CORPORATION	
SUP. DWG. DATED: 3/22/63		TOLERANCES ON DIMENSIONS (UNLESS OTHERWISE SPECIFIED)		ISSUED BY: R. GUZMAN		APPROVED BY: J.I. SALAZAR	
LAST REV. DATED: 10/17/85		INCHES: .XX = ± .01 .XXX = ± .005		REVISION DATE: 21-SEP-13		REV. SHEET: A 1 OF 1	
UPDATED BACKGROUND TO NIDEC		mm		D04		155014	
MATERIAL:		ANGLES: X° = ±1°		DWG. NO. 155014		DWG. SIZE: B	
MUST BE COMPLIANT TO RoHS DIRECTIVE EU 2002/95/IEC AND REGULATION EC 1907/2006 (REACH) AS AMENDED							

NIDEC CONFIDENTIAL
 NIDEC MOTOR CORPORATION 20-Sep-13