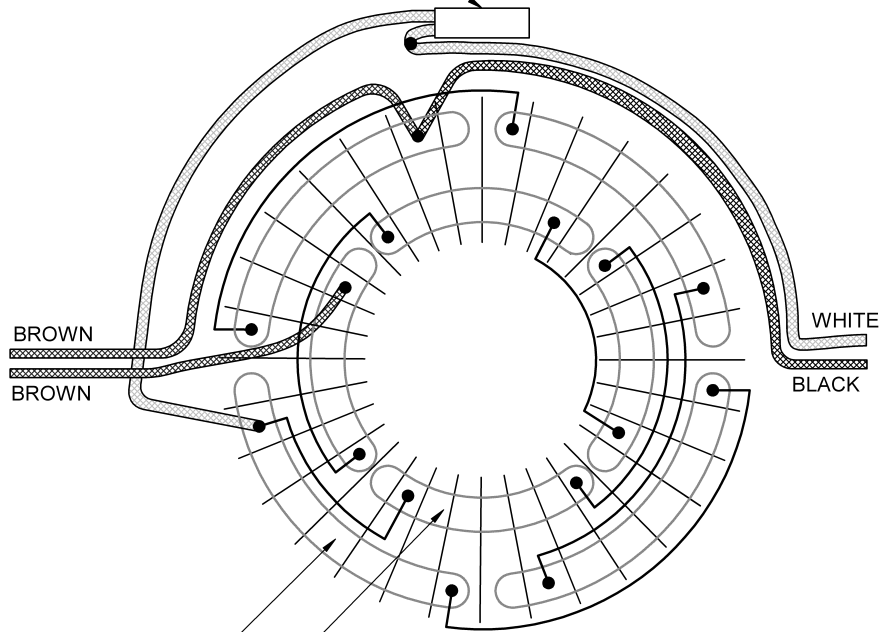


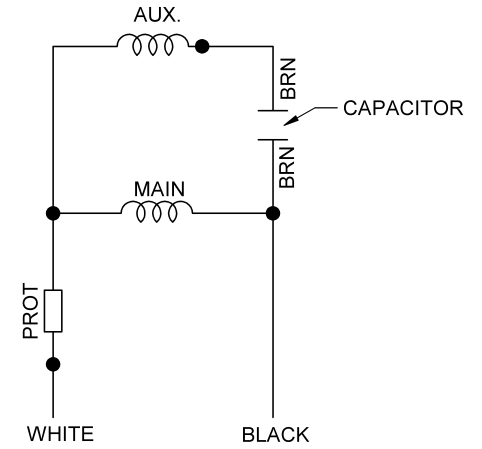
PROTECTOR TO BE POSITIONED AND SECURED PER S.E.I.M. 4-2



MAIN

AUX

VIEWING LEAD END



ROTATION: C.W. LEAD END

NIDEC CONFIDENTIAL
NIDEC MOTOR CORPORATION 23-Sep-13

REVISION DESCRIPTION FOR: C8396-00		SCALE: NONE	UNITS: INCHES	TITLE: DIAGRAM OF CONNECTIONS		NIDEC MOTOR CORPORATION	
SUP. DWG DATED: 1/15/76		TOLERANCES ON DIMENSIONS (UNLESS OTHERWISE SPECIFIED)		ISSUED BY: R. GUZMAN		APPROVED BY: J.I. SALAZAR	
LAST REV. DATED: 1/15/76		INCHES	mm	REVISION DATE: 23-SEP-13		REV: A	SHEET NUMBER: 1 OF 1
UPDATED BACKGROUND TO NIDEC		XX = ± .01 .XXX = ± .005		CODE: D04	DWG NO.: 208068	DWG SIZE: B	
MATERIAL:		ANGLES X° = ±1°					
MUST BE COMPLIANT TO RoHS DIRECTIVE EU 2002/95/IEC AND REGULATION EC 1907/2006 (REACH) AS AMENDED		SOLIDEDGE					