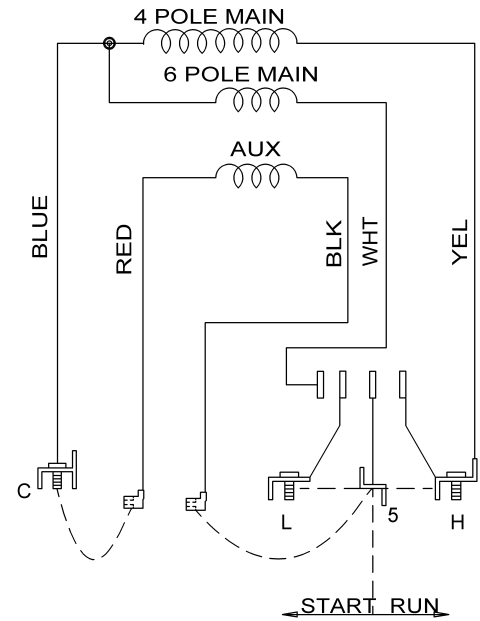


VIEWING LEAD END



ROTATION - VIEWING SWITCH END

FOR CCW ROTATION
LEAD END
RED ON COMMON
BLACK ON 5

FOR CW ROTATION
LEAD END
BLACK ON COMMON
RED ON 5

REFER TO SEIM 24-1

REVISION DESCRIPTION FOR: C8396-00		SCALE: NONE	UNITS: INCHES	TITLE: DIAGRAM OF CONNECTIONS		NIDEC MOTOR CORPORATION
UPDATED BACKGROUND FROM EMERSON TO NIDEC		TOLERANCES ON DIMENSIONS (UNLESS OTHERWISE SPECIFIED)		ISSUED BY: R. GUZMAN		
MATERIAL:		INCHES	mm	APPROVED BY: J.I. SALAZAR	REV: A	SHEET NUMBER: 1 OF 1
NIDEC CONFIDENTIAL NIDEC MOTOR CORPORATION 23-Sep-13		.XX = ± .01 .XXX = ± .005		CODE: D04	DWG NO.: 229869	DWG SIZE: B
MUST BE COMPLIANT TO RoHS DIRECTIVE EU 2002/95/IEC AND REGULATION EC 1907/2006 (REACH) AS AMENDED		ANGLES X° = ±1°		SOLIDEDGE		