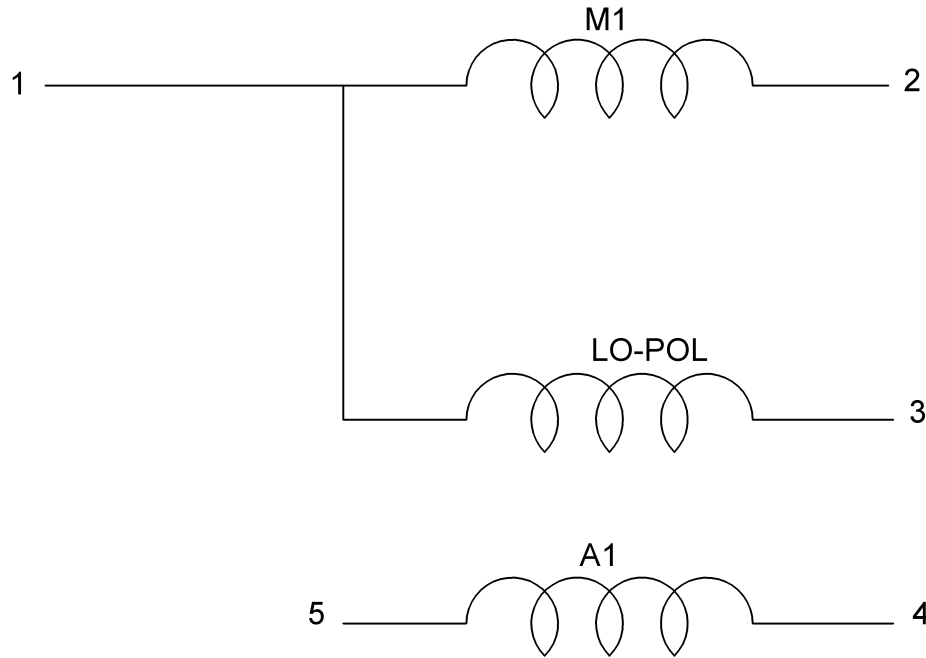


D04 CONN POINT	CONNECTION COMBINATION	
	CCWLE	CWLE
01	ST-M1 FN-LO	ST-M1 FN-LO
02	FN-M1	FN-M1
03	ST-LO	ST-LO
04	ST-A1	FN-A1
05	FN-A1	ST-A1



REFER TO SEIM 24-1

MULTI-POLE, REVERSIBLE,
W/O ON-WDG. PROT.



REVISION DESCRIPTION FOR: C8396-02		SCALE	UNITS	TITLE		NIDEC MOTOR CORPORATION		
CHANGE MARK FROM EMERSON TO NIDEC.		NONE	INCHES	DIAGRAM OF CONNECTIONS		REVISION DATE 23-SEP-13		
CHANGED FROM MICROSTATION TO SOLIDEDGE.		TOLERANCES ON DIMENSIONS (UNLESS OTHERWISE SPECIFIED)						
MATERIAL:		INCHES	mm	ISSUED BY	APPROVED BY	REV SHEET DWG A 1 OF 1 A		
		± .015		E. VICENCIO	J.I. SALAZAR			
MUST BE COMPLIANT TO RoHS DIRECTIVE EU 2002/95/IEC AND REGULATION EC 1907/2006 (REACH) AS AMENDED		ANGLES X°= ±1°		CODE	DWG NO.	REV SHEET DWG A 1 OF 1 A		
				D04	292138			