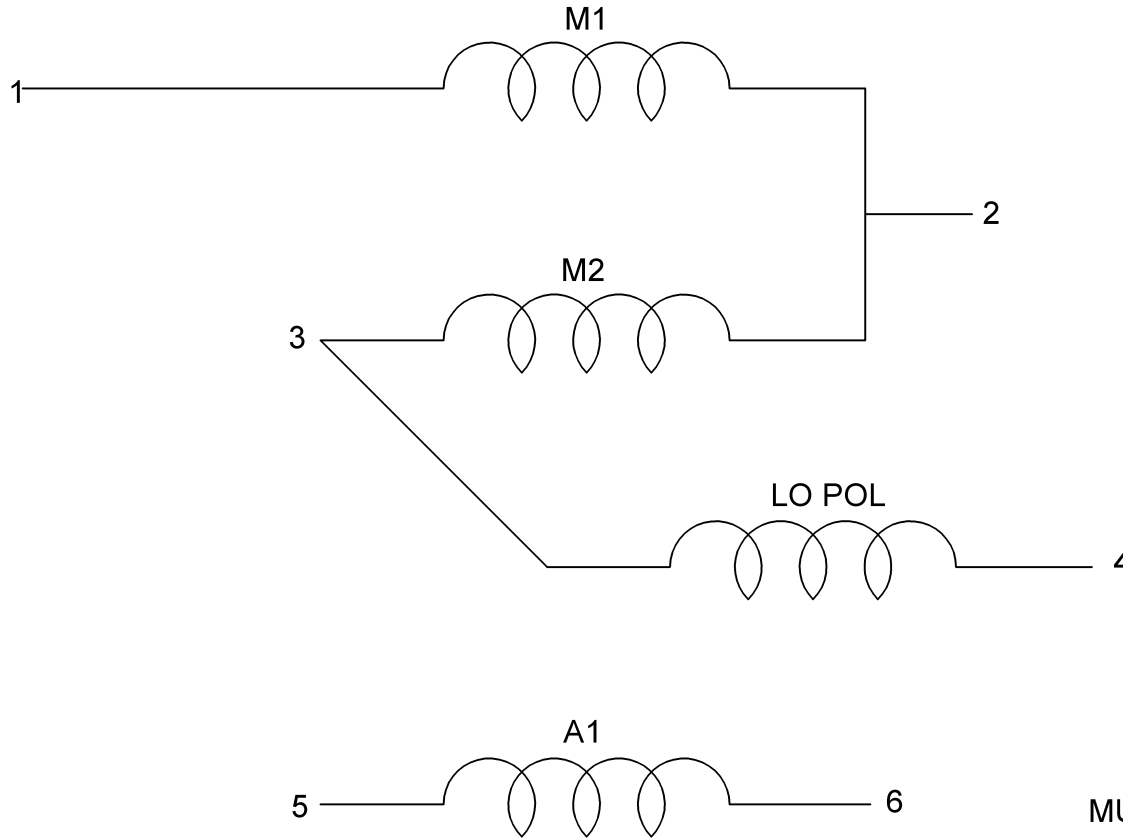


D04 CONN POINT	CONNECTION COMBINATION	
	CCWLE	CWLE
01	ST-M1	ST-M1
02	FN-M1 FN-M2	FN-M1 FN-M2
03	ST-M2 FN-LO	ST-M2 FN-LO
04	ST-LO	ST-LO
05	ST-A1	ST-A1
06	FN-A1	FN-A1



REFER TO SEIM 24-1

MULTI-POLE, REVERSIBLE,
W/O ON-WDG. PROT.



REVISION DESCRIPTION FOR: C8396-02		SCALE	UNITS	TITLE		NIDEC MOTOR CORPORATION		
CHANGED MARK FROM EMERSON TO NIDEC.		NONE	INCHES	DIAGRAM OF CONNECTIONS		REVISION DATE 23-SEP-13		
CHANGED FROM MICROSTATION TO SOLIDEDGE.		TOLERANCES ON DIMENSIONS (UNLESS OTHERWISE SPECIFIED)						
MATERIAL:		INCHES	mm	ISSUED BY	APPROVED BY	REVISION DATE		
		± .015		E. VICENCIO	J.I. SALAZA	23-SEP-13		
		ANGLES X°= ±1°		CODE	DWG NO.	REV	SHEET NUMBER	DWG SIZE
				D04	293185	A	1 OF 1	A

NIDEC CONFIDENTIAL
NIDEC MOTOR CORPORATION 21-Sep-13
NMCA (MAR-2011)

MUST BE COMPLIANT TO RoHS DIRECTIVE EU 2002/95/IEC
AND REGULATION EC 1907/2006 (REACH) AS AMENDED

SOLIDEDGE