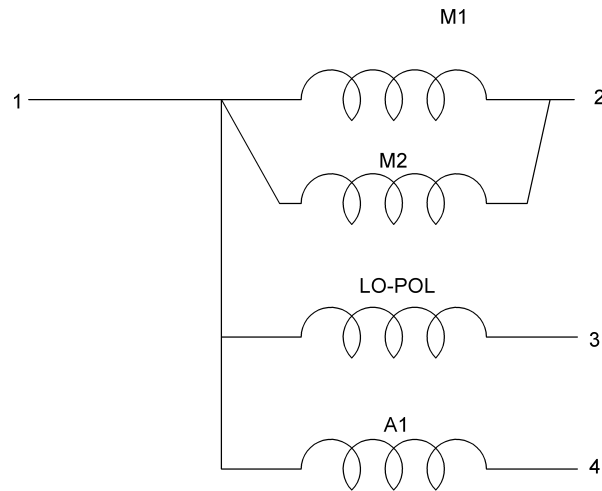


D04 CONN POINT	CONNECTION COMBINATION	
	CCWLE	CWLE
01	ST-M1 ST-M2 FN-LO ST-A1	ST-M1 ST-M2 FN-LO FN-A1
02	FN-M1 FN-M2	FN-M1 FN-M2
03	ST-LO	ST-LO
04	FN-A1	ST-A1



MULTI-POLE,
NON-REVERSIBLE,
W/O ON-WDG. PROT.

REFER TO SEIM 24-1

<small>ITEMS AND MATERIALS SPECIFIED HEREIN MUST COMPLY WITH THE EUROPEAN REDUCTION OF HAZARDOUS SUBSTANCES (ROHS 2) DIRECTIVE 2011/65/EU, REGULATIONS (EC) NO. 1907/2006 (REACH) AS OF 1 JUNE 2007 AND ALL SUBSEQUENT UPDATES. PLEASE REFER TO THE OFFICIAL EU DOCUMENTS FOR COMPLETE DEFINITION, RESTRICTIONS, AND LIMITS FOR EACH SUBSTANCE.</small>	REVISION DESCRIPTION FOR: C8396-17	SCALE	UNITS	TITLE	NIDEC MOTOR CORPORATION			
	CHANGED DRAWING FROM MICROSTATION	NONE	INCHES	DIAGRAM OF CONNECTIONS				
	MATERIAL:	TOLERANCES ON DIMENSIONS (UNLESS OTHERWISE SPECIFIED)		ISSUED BY		APPROVED BY	REVISION DATE	
	NIDEC CONFIDENTIAL NIDEC MOTOR CORPORATION 17-Feb-14	INCHES	mm	B. RUIZ		J. SALAZAR	17-FEB-14	
		.XXX = ± .015		CODE	DWG NO.	REV	SHEET NUMBER	DWG SIZE
		ANGLES X° = ±1°		D04	303795	A	1 OF 1	B