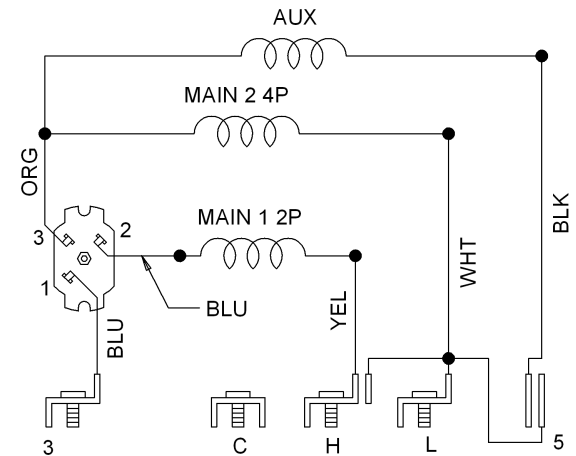


VIEWING LEAD END



HI SPEED	LO SPEED
3-LINE 1	3-LINE 1
H-LINE 2	L-LINE 2

ROTATION: CW. SWITCH END

REV
A

REFER TO SEIM 24-1

MODEL C2-4P SGL VOLT. NON-REV.PROT.

REVISION DESCRIPTION FOR: C8396-04		SCALE	UNITS	TITLE	NIDEC MOTOR CORPORATION	
UPDATED BACKGROUND FROM EMERSON TO NIDEC. CONVERTED DRAWING FROM MACROSTATION TO SOLID EDGE		NONE	INCHES	DIAGRAM OF CONNECTIONS	NIDEC MOTOR CORPORATION	
MATERIAL:		TOLERANCES ON DIMENSIONS (UNLESS OTHERWISE SPECIFIED)				
		INCHES	mm	ISSUED BY	APPROVED BY	REVISION DATE
		.XX = ± .01		R. GUZMAN	J.I. SALAZAR	25-SEP-13
		.XXX = ± .005		CODE	DWG NO.	REV SHEET NUMBER DWG SIZE
		ANGLES X° = ±1°		D04	727424	A 1 OF 1 B

NIDEC CONFIDENTIAL
NIDEC MOTOR CORPORATION 25-Sep-13

MUST BE COMPLIANT TO RoHS DIRECTIVE EU 2002/95/REC AND REGULATION EC 1907/2006 (REACH) AS AMENDED