

**CAUTION:** AUX SHIFTED 1 SLOT  
CCW-LEAD END.  
(SERIES MAIN POLES)  
(SERIES AUX POLES)

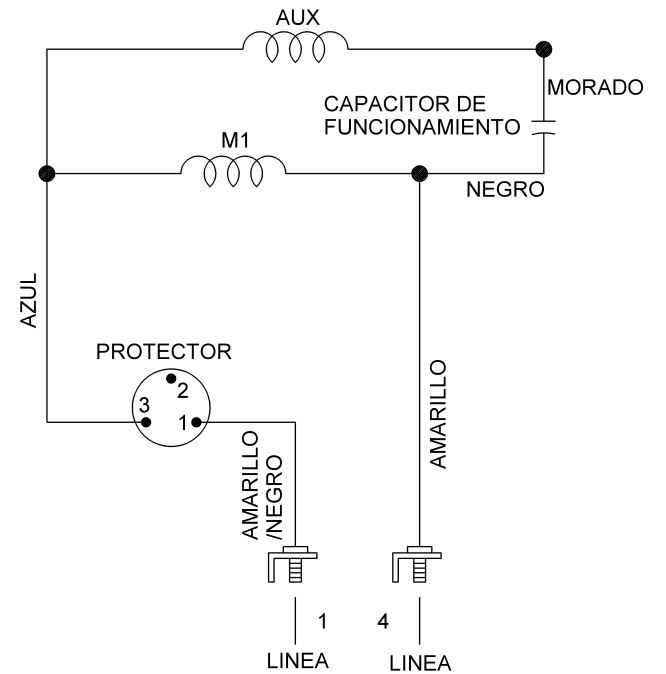
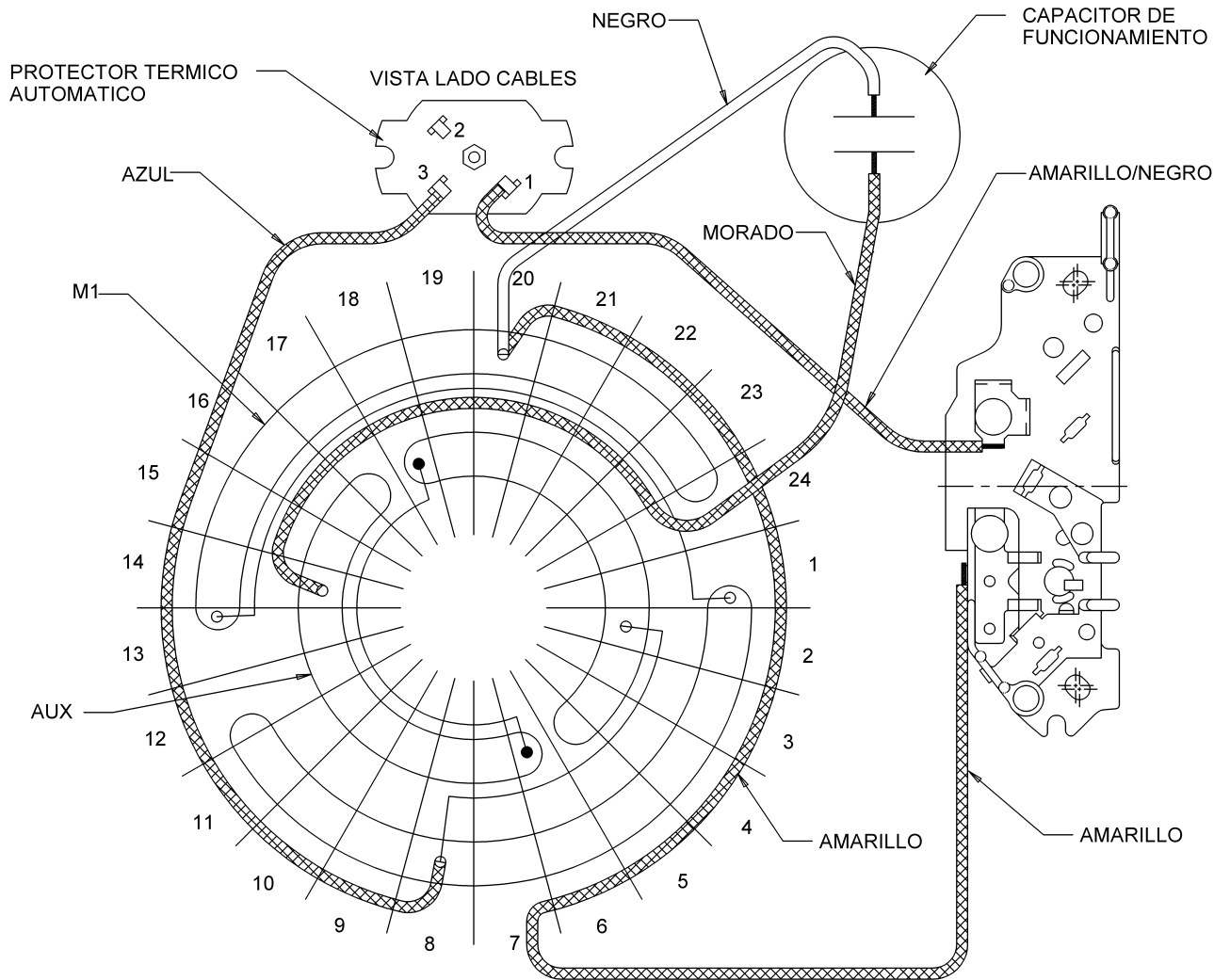
REFER TO SEIM 24-1

NIDEC CONFIDENTIAL  
NIDEC MOTOR CORPORATION 24-Sep-13

REVISION DESCRIPTION FOR: C8396-05	SCALE	UNITS	TITLE
UPDATED BACKGROUND FROM EMERSON TO NIDEC. CONVERTED DRAWING FROM MICROSTATION TO SOLID EDGE	NONE	INCHES	DIAGRAM OF CONNECTIONS
MATERIAL:	TOLERANCES ON DIMENSIONS (UNLESS OTHERWISE SPECIFIED)		NIDEC MOTOR CORPORATION
	INCHES	mm	ISSUED BY R. GUZMAN
	.XX = ± .01		APPROVED BY J.I. SALAZAR
	.XXX = ± .005		REVISION DATE 24-SEP-13
	ANGLES X° = ±1°		CODE D04

ISSUED BY R. GUZMAN	APPROVED BY J.I. SALAZAR	REVISION DATE 24-SEP-13
CODE D04	DWG NO. 738755	REV A

REVISION DATE 24-SEP-13	SHEET NUMBER 1 OF 2	DWG SIZE B
----------------------------	------------------------	---------------



ROTACION: CW LADO CABLES

**PRECAUCION:** AUX GIRADO 1 SLOT  
CCW-LADO CABLES  
(POLOS EN SERIES M1)  
(POLOS EN SERIES AUX)

REFER TO SEIM 24-1

NIDEC CONFIDENTIAL  
NIDEC MOTOR CORPORATION 24-Sep-13

REVISION DESCRIPTION FOR: C8396-05		SCALE	UNITS	TITLE		NIDEC MOTOR CORPORATION
ACTUALIZADO MARCO DE EMERSON A		NONE	INCHES	DIAGRAMA DE CONEXIONES		
NIDEC. CONVERTIDO DIBUJO DE		TOLERANCES ON DIMENSIONS (UNLESS OTHERWISE SPECIFIED)		ISSUED BY		REVISION DATE
MICROSTATION A SOLID EDGE		INCHES		R. GUZMAN		
MATERIAL:		mm		APPROVED BY		REV
		.XX = ± .01 .XXX = ± .005		J.I. SALAZAR		
		ANGLES X° = ±1°		D04		2 OF 2
				738755		DWG SIZE
						B

MUST BE COMPLIANT TO ROHS DIRECTIVE EU 2002/95/EC AND REGULATION EC 1907/2006 (REACH) AS AMENDED

REV A

SOLIDEDGE

NMCB (MAR-2011)