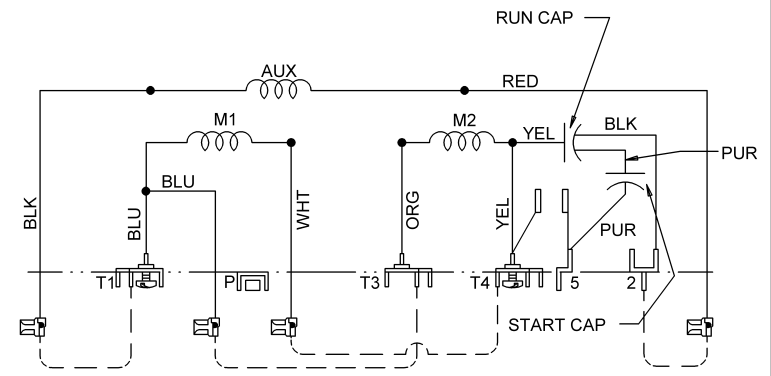
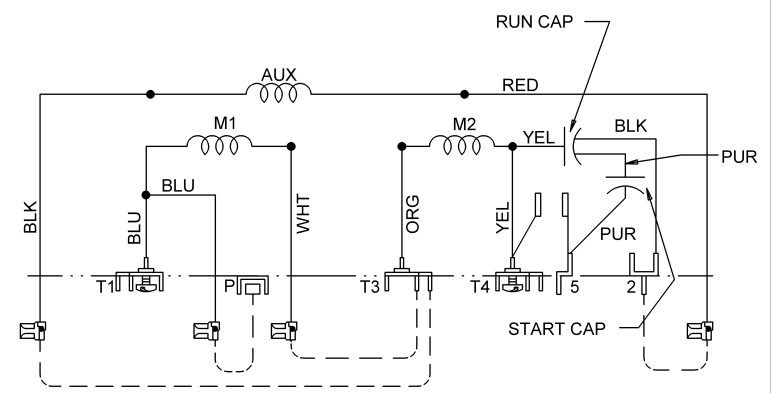


CONNECTED FOR LOW VOLTAGE



CONNECTED FOR HIGH VOLTAGE



ROTATION: CW SWITCH END REV  
T 4P DUAL VOLT REV W/CAPS

REFER TO SEIM 24-1

NIDEC CONFIDENTIAL  
NIDEC MOTOR CORPORATION 23-Sep-13

REVISION DESCRIPTION FOR: C8396-08		SCALE	UNITS	TITLE		NIDEC MOTOR CORPORATION	
UPDATED BACKGROUND TO NIDEC		TOLERANCES ON DIMENSIONS (UNLESS OTHERWISE SPECIFIED)		DIAGRAM OF CONNECTIONS		NIDEC MOTOR CORPORATION	
MATERIAL:		INCHES	mm	ISSUED BY	APPROVED BY	REVISION DATE	
		ANGLES X° = ±1°		A. SANCHEZ	J.I. SALAZAR	23-SEP-13	
				CODE	DWG NO.	REV	SHEET NUMBER
				D04	749882	A	1 OF 1
						REV	DWG SIZE
							B