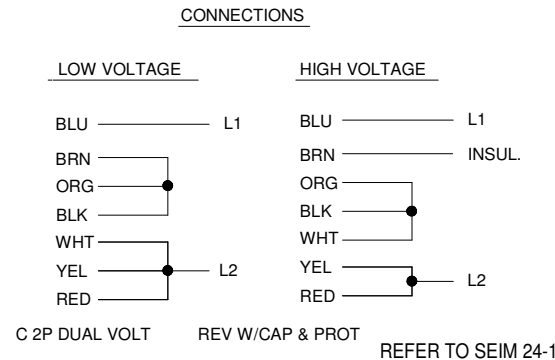


**ROTATION:**  
 CCW SWITCH END REVERSIBLE  
 TO REVERSE ROTATION, INTERCHANGE  
 BLACK AND RED LEADS.

**NOTE:**  
 SECURE ALL LEADS AT 3:00 OCLOCK  
 LOCATION TO PREVENT INTERFERENCE  
 WITH MOVING PARTS.



REVISION DESCRIPTION FOR: C2254-00		REVISION DATE: 14-SEP-10	SCALE: NONE	UNITS: IN	<b>DIAGRAM OF CONNECTIONS</b>				
DRAWING CREATED:		TOLERANCES ON DIMENSIONS (UNLESS OTHERWISE SPECIFIED):							
MATERIAL: MUST BE COMPLIANT TO RoHS DIRECTIVE EU 2002/95/EC		.XX = ± .01	.XXX = ± .005	mm	ISSUED BY: J. CORONADO	APPROVED BY: M. SCHUETTE	REV: --	SHEET NUMBER: 1 OF 1	DWG SIZE: B
ANGLES X° ± 1°				CODE: D04	DWG NO.: 783191				