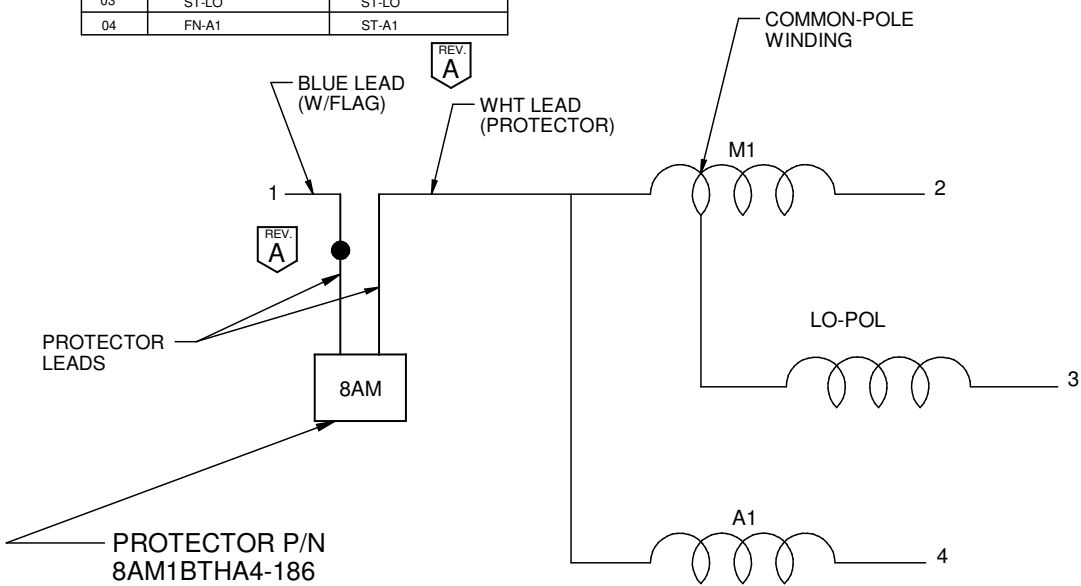


D04 CONN POINT	CONNECTION COMBINATION	
	CCWLE	CWLE
01	ST-M1 ST-A1	ST-M1 FN-A1
02	FN-M1	FN-M1
03	ST-LO	ST-LO
04	FN-A1	ST-A1

**MULTI-POLE,
NON-REVERSIBLE,
WITH ON-WDG. PROT.(8AM)**



REFER TO SEIM 24-1

REVISION DESCRIPTION FOR: C4528-00	SCALE NONE	UNITS INCHES	TITLE DIAGRAM OF CONNECTIONS		NIDEC MOTOR CORPORATION	
SHOWED POINT CONNECTIONS & UPDATED NOTES	TOLERANCES ON DIMENSIONS (UNLESS OTHERWISE SPECIFIED)		ISSUED BY J. CORONADO		APPROVED BY CH. ROESSLER	
MATERIAL:	INCHES .XX = ± .01 .XXX = ± .005		mm		REVISION DATE 27-OCT-11	
MUST BE COMPLIANT TO RoHS DIRECTIVE EU 2002/95/EC AND REGULATION EC 1907/2006 (REACH) AS AMENDED	ANGLES X°= ±1°		CODE D04	DWG NO. 789040	REV A	SHEET NUMBER 1 OF 1
						DWG SIZE A

NIDEC CONFIDENTIAL
NIDEC MOTOR CORPORATION 01-Nov-11
NMCA (MAR-2011)

SOLIDEDGE