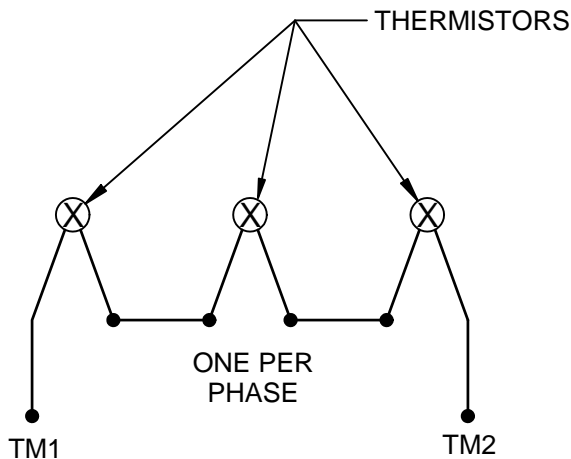
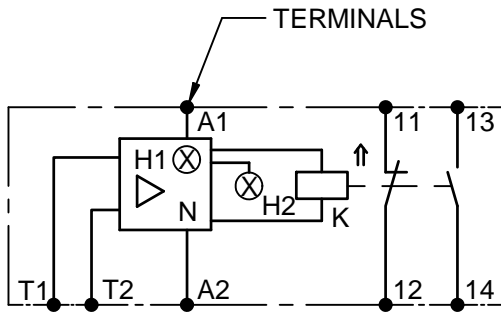


THERMASENTRY THERMISTORS

1. THERE ARE QTY-3 POSITIVE TEMPERATURE COEFFICIENT (PTC) THERMISTORS (1 PER PHASE) INSTALLED IN THE MOTOR WINDING. ONE PER PHASE, CONNECTED IN SERIES.
2. WIRE CONTROL POWER TO MODULE TERMINALS A1 AND A2. CONTROL POWER MAY BE 24 TO 240 VOLTS AC OR DC.
3. FOR NORMALLY OPEN CONTACTS, USE MODULE TERMINALS 13 AND 14. REV.
C
4. FOR NORMALLY CLOSED CONTACTS, USE MODULE TERMINALS 11 AND 12. REV.
C

NOTES:

1. OUTPUT CONTACT RATING IS:
 - AC 240 VOLTS 3 AMPERES MAXIMUM
 - DC 24 VOLTS 1 AMPERE MAXIMUM
2. DO NOT APPLY POWER DIRECTLY ACROSS 11 AND 12 OR 13 AND 14. REV.
C
3. THE MODULE AUTOMATICALLY RESETS ITSELF WHEN TEMPERATURE DROPS TO A SAFE LEVEL.



TYPICAL CONNECTION DIAGRAM MOTOR MOUNTED THERMASENTRY WITH N.O. AND N.C. CONTACTS.

ACCESSORY LISTING
QTY. 1 - SEIMENS THERMASENTRY CONTROL MODULE N.O./N.C.
QTY. 3 - THERMASENTRY THERMISTORS

ITEMS AND MATERIALS SPECIFIED HEREIN MUST COMPLY WITH THE EUROPEAN REDUCTION OF HAZARDOUS SUBSTANCES (ROHS 3) DIRECTIVE 2011/65/EU, REGULATIONS (EC) NO. 1907/2006 (REACH) AS OF 1 JUNE 2007, CALIFORNIA PROP 65 AND ALL SUBSEQUENT UPDATES. PLEASE REFER TO THE OFFICIAL DOCUMENTS FOR COMPLETE DEFINITIONS AND LIMITS FOR ALL RESTRICTED SUBSTANCES UNDER ROHS 3, REACH AND CALIFORNIA PROP 65.

REVISION DESCRIPTION FOR: **18703356**
 CHANGED TERMINALS IN NOTES 11 WAS 95,
 12 WAS 96, 13 WAS 97 AND 14 WAS 98.

SCALE: NONE UNITS: INCHES
 TOLERANCES ON DIMENSIONS
 (UNLESS OTHERWISE SPECIFIED)
 INCHES mm

TITLE: **DRAWING, CUSTOMER CONNECTION DIAGRAM**

NIDEC MOTOR CORPORATION

NIDEC CONFIDENTIAL
 NIDEC MOTOR CORPORATION 19-DEC-18

MATERIAL:

ANGLES X°= ±1°

ISSUED BY: **L. ALBELDAÑO** APPROVED BY: **M. RAMIREZ**

REVISION DATE: **20-DEC-18**

CODE: DWG NO. **2006189**

REV C	SHEET NUMBER 1 OF 1	DWG SIZE A
-----------------	------------------------	---------------