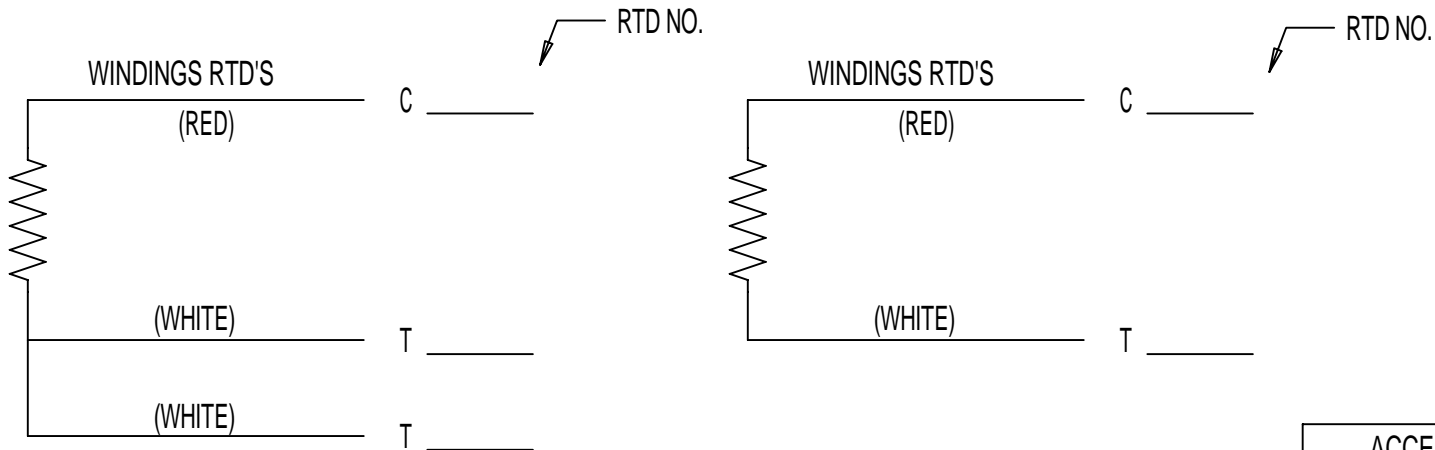


WINDING RTD'S

1. THERE ARE QTY-12 RESISTANCE TYPE TEMPERATURE DETECTORS (RTD) INSTALLED IN THE STATOR WINDING, 4 PER PHASE. REFER TO NAMEPLATE ATTACHED TO THE MOTOR ADJACENT TO ACCESSORY OUTLET BOX FOR RATING OF THE RTD'S.
2. DETECTORS ARE INSTALLED IN PHASES AS SHOWN.

PHASE	A	B	C
RTD NO.	1, 11, 4, 44	2, 22, 5, 55	3, 33, 6, 66



ACCESSORY LISTING
QTY-6 3 LEAD RTD'S QTY-6 2 LEAD RTD'S

REVISION DESCRIPTION FOR: MISC	SCALE NONE	UNITS IN	TITLE CUSTOMER CONNECTION DIAGRAM	NIDEC MOTOR CORPORATION
STL0211 - UPDATED FORMAT	TOLERANCES ON DIMENSIONS (UNLESS OTHERWISE SPECIFIED)			
MATERIAL: ---	<u>INCHES</u>	<u>mm</u>	ISSUED BY R. KING	APPROVED BY C. CADE
MUST BE COMPLIANT TO RoHS DIRECTIVE EU 2002/95/IEC AND REGULATION EC 1907/2006 (REACH) AS AMENDED	ANGLES X°= ±1°		REVISION DATE 23-FEB-11	REV D
			CODE	DWG NO. 0412877
				SHEET NUMBER 1 OF 1
				DWG SIZE A