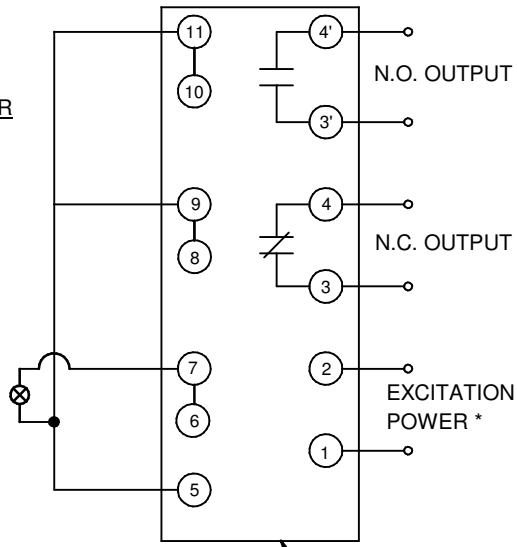
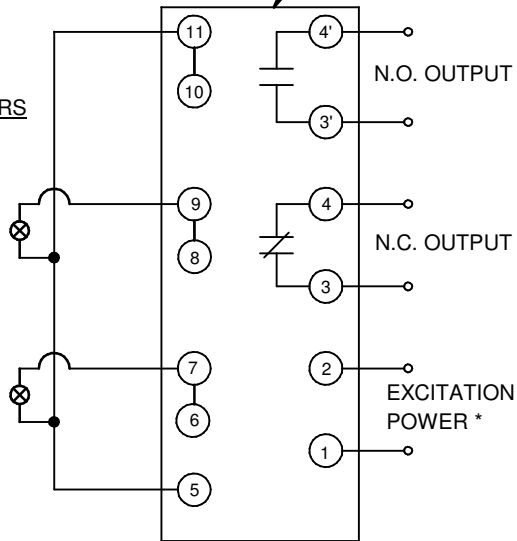


BEARING THERMISTOR
QTY 1



BEARING THERMISTORS
QTY 2



BEARING THERMISTORS

1. THERE ARE QTY-1 OR 2 BEARING THERMISTORS (QTY-1 FOR LOWER/DE (DRIVE END) AND/OR QTY-1 FOR UPPER/ODE (OPPOSITE DRIVE END) INSTALLED ON MOTOR. THESE THERMISTORS ARE TO BE WIRED TO A MOTOR MOUNTED OR REMOTE MOUNTED N.O./N.C. THERMASENTRY CONTROL MODULE.
2. FOR NORMALLY OPEN CONTACTS, CONNECT OUTPUT LEADS TO 3' AND 4'.
3. FOR NORMALLY CLOSED, CONNECT OUTPUT LEADS TO 3 AND 4.

NOTES:

1. DO NOT APPLY VOLTAGE DIRECTLY ACROSS TERMINALS 3 & 4 OR 3' & 4'. OUTPUT IS RATED FOR 120/240 VAC, 5 AMPS MAX CURRENT.

2. TERMINALS 1 & 2 MUST BE ENERGIZED BEFORE 3 & 4 ARE NORMALLY CLOSED AND 3' & 4' ARE NORMALLY OPEN.



3. DO NOT GROUND THERMISTOR CONNECTION. THERMISTOR TERMINAL ⑤ IS A COMMON, NOT A GROUND. EITHER THERMISTOR LEAD MAY BE CONNECTED TO TERMINAL ⑤.

* SEE LABEL ON PRODUCT CASE FOR RATED VOLTS.

ACCESSORY LISTING

QTY. 1 - THERMASENTRY MODULE

QTY. 1 OR 2 - BEARING THERMISTORS

TYPICAL CONNECTION DIAGRAM, MOTOR MOUNTED OR REMOTE MOUNTED THERMASENTRY WITH N.O. AND N.C. CONTACTS

REVISION DESCRIPTION FOR: MOD	REVISION DATE 24-JUN-05	SCALE NONE	UNITS IN
REVISED NOTE 3.	TOLERANCES ON DIMENSIONS (UNLESS OTHERWISE SPECIFIED)		
	INCHES	mm	ANGLES
MATERIAL ---			

CSTG NO. ---	PART NO. ---	FRAME ---	TYPE ---	
TITLE DRAWING, CONNECTION DIAGRAM				
ISSUED BY R. KING		APPROVED BY J. O'BRIEN		
CODE CDG	DWG NO. 0452694	REV A	SHEET NUMBER 1 OF 1	DWG SIZE A

EMERSON CONFIDENTIAL
© EMERSON ELECTRIC CO. 6/24/2005

(20020948)