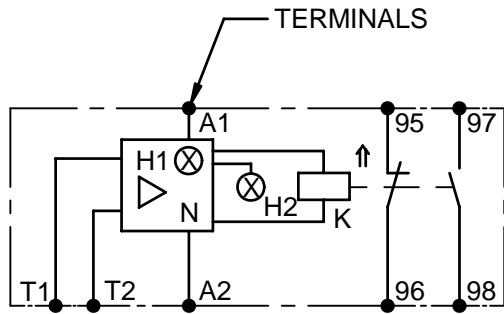


THERMASENTRY THERMISTORS



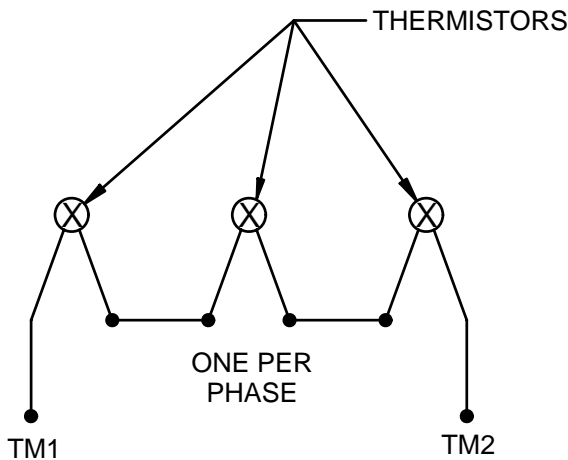
1. THERE ARE QTY-3 POSITIVE TEMPERATURE COEFFICIENT (PTC) THERMISTORS (1 PER PHASE) INSTALLED IN THE MOTOR WINDING. ONE PER PHASE, CONNECTED IN SERIES. TERMINATED ON TERMINAL STRIP TERMINALS T1 AND T2 IN THE MOTOR ACCESSORY CONNECTION BOX. THESE ARE TO BE WIRED TO THE REMOTE-MOUNTED CONTROL MODULE SUPPLIED WITH THE MOTOR. WIRE THE THERMISTOR LEADS TM1 AND TM2 TO THE MODULE TERMINALS T1 AND T2.
2. WIRE CONTROL POWER TO MODULE TERMINALS A1 AND A2. CONTROL POWER MAY BE 24 TO 240 VOLTS AC OR DC.
3. FOR NORMALLY OPEN CONTACTS, USE MODULE TERMINALS 97 AND 98.
4. FOR NORMALLY CLOSED CONTACTS, USE MODULE TERMINALS 95 AND 96.

NOTES:

1. OUTPUT CONTACT RATING IS:

AC 240 VOLTS 3 AMPERES MAXIMUM
DC 24 VOLTS 1 AMPERE MAXIMUM

2. DO NOT APPLY POWER DIRECTLY ACROSS 95 AND 96 OR 97 AND 98.
3. THE MODULE AUTOMATICALLY RESETS ITSELF WHEN TEMPERATURE DROPS TO A SAFE LEVEL.



TYPICAL CONNECTION DIAGRAM, REMOTE MOUNTED THERMASENTRY WITH N.O. AND N.C. CONTACTS

ACCESSORY LISTING	
QTY. 1 - SEIMENS THERMASENTRY CONTROL MODULE N.O./N.C.	
QTY. 3 - THERMASENTRY THERMISTORS	

REVISION DESCRIPTION FOR: MISC		SCALE	NONE	UNITS	IN	TITLE		DRAWING, CUSTOMER CONNECTION DIAGRAM		NIDEC MOTOR CORPORATION		
STL0211 - UPDATED FORMAT.		TOLERANCES ON DIMENSIONS (UNLESS OTHERWISE SPECIFIED)										
MATERIAL:		INCHES		mm		ISSUED BY		APPROVED BY		REVISION DATE		
---						R. KING		C. CADE		23-FEB-11		
MUST BE COMPLIANT TO RoHS DIRECTIVE EU 2002/95/IEC AND REGULATION EC 1907/2006 (REACH) AS AMENDED		ANGLES		X° = ±1°		CODE		DWG NO.		REV	SHEET NUMBER	DWG SIZE
								0625703		C	1 OF 1	A