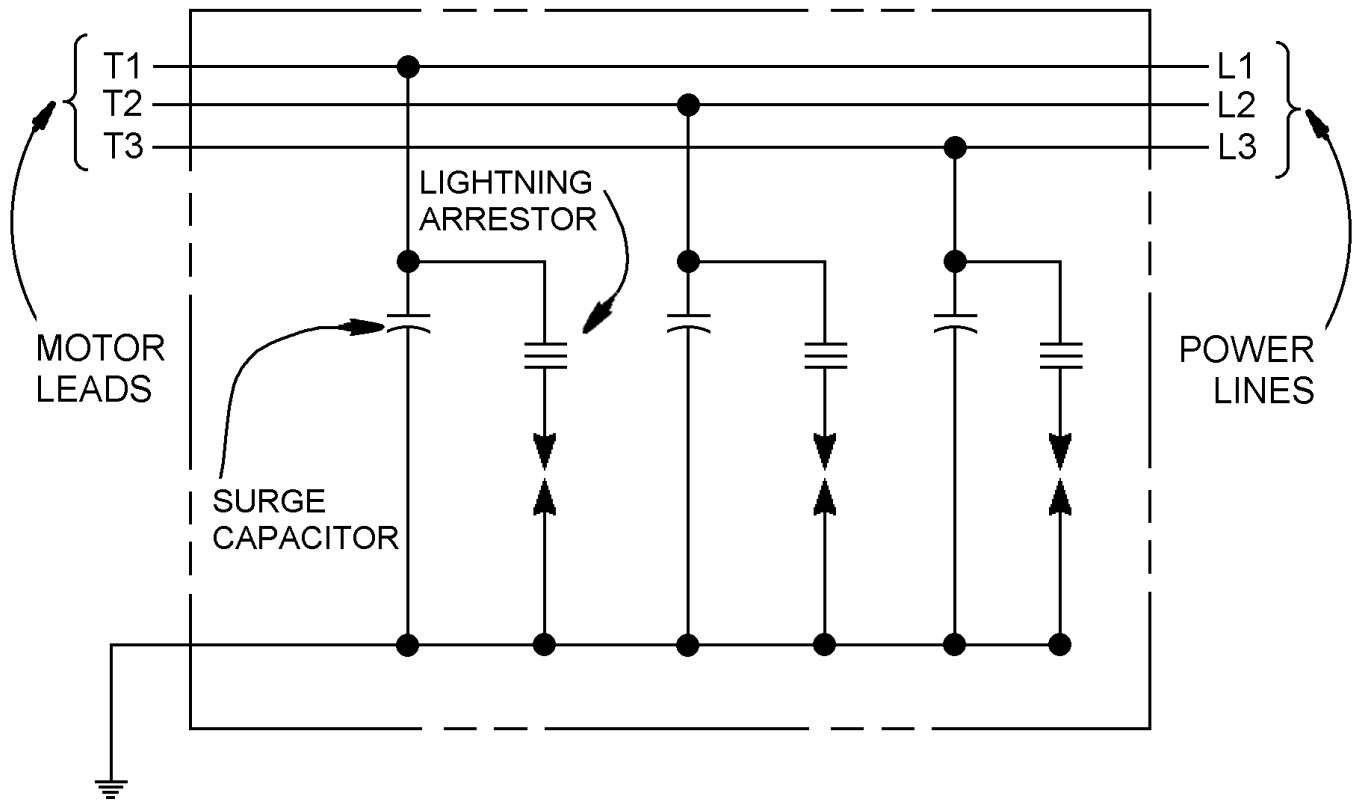




**Accessory Connection Diagram
Lightning Arrestors & Surge Capacitors**



SCHEMATIC

This Connection Diagram is to be used in conjunction with the main motor connection diagram supplied with the motor.

To reverse direction of rotation, interchange leads L1 & L2.

Each lead may have one or more cables comprising that lead. In such case, each cable will be marked with the appropriate lead number.