

THERMASENTRY THERMISTORS

1. THERE ARE QTY-3 POSITIVE TEMPERATURE COEFFICIENT (PTC) THERMISTORS (1 PER PHASE) INSTALLED IN THE MOTOR WINDING. THESE THERMISTORS ARE TO BE WIRED TO A MOTOR MOUNTED OR REMOTE MOUNTED N.O./N.C. THERMASENTRY CONTROL MODULE.
2. FOR NORMALLY OPEN CONTRACTS, CONNECT OUTPUT LEADS TO 3' AND 4'.
3. FOR NORMALLY CLOSED, CONNECT OUTPUT LEADS TO 3 AND 4.

NOTES:



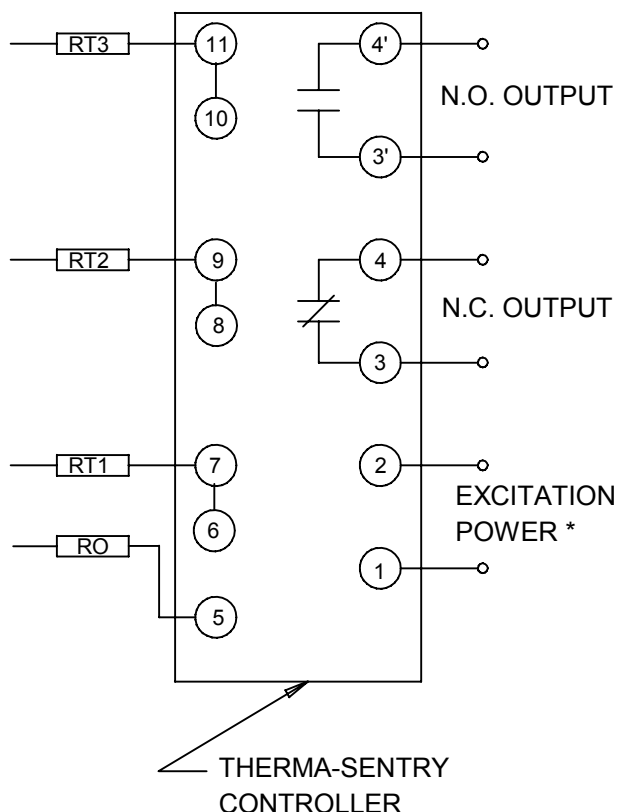
1. DO NOT APPLY VOLTAGE DIRECTLY ACROSS TERMINALS 3 & 4 OR 3' & 4'. OUTPUT IS RATED FOR 120/240 VAC, 5 AMPS MAX CURRENT.

2. TERMINALS 1 & 2 MUST BE ENERGIZED BEFORE 3 & 4 ARE NORMALLY CLOSED AND 3' & 4' ARE NORMALLY OPEN.

3. DO NOT GROUND THERMISTOR CONNECTION. RO IS A COMMON, NOT A GROUND.



* SEE LABEL ON PRODUCT CASE FOR RATED VOLTS.



TYPICAL CONNECTION DIAGRAM, MOTOR MOUNTED OR REMOTE MOUNTED THERMASENTRY WITH N.O. AND N.C. CONTACTS

ACCESSORY LISTING	
QTY. 1 - THERMASENTRY CONTROL MODULE N.O./N.C.	
QTY. 3 - THERMASNTRY THERMISTORS	

REVISION DESCRIPTION FOR: MOD	REVISION DATE 5/26/04	SCALE NONE	UNITS IN
REVISED NOTES	TOLERANCES ON DIMENSIONS (UNLESS OTHERWISE SPECIFIED)		
	INCHES	mm	ANGLES
MATERIAL			

CSTG NO. ---	PART NO. ---	FRAME ---	TYPE ---	
TITLE DRAWING, CONNECTION DIAGRAM				
ISSUED BY R. KING		APPROVED BY T. MEYERS		
CODE CDG	DWG NO. 0994830	REV C	SHEET NUMBER 1 OF 1	DWG SIZE A