

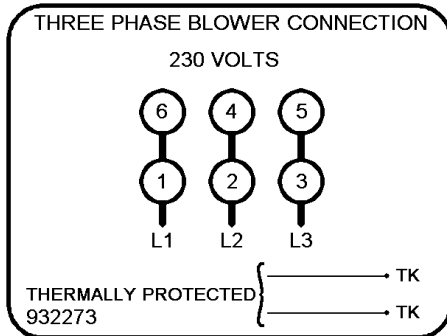


US ELECTRICAL MOTORS

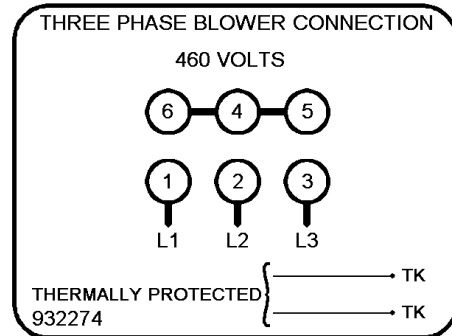
Blower Connections

Motor Wiring Diagram

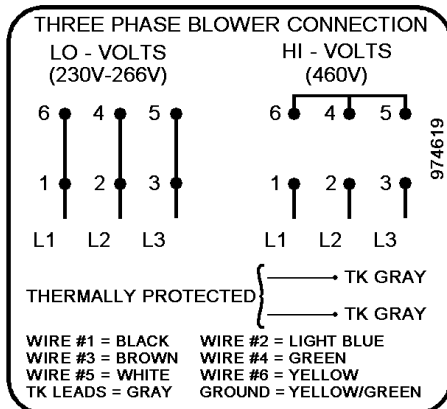
Single & Three Phase Blower Connection Diagrams,
*Thermally Protected



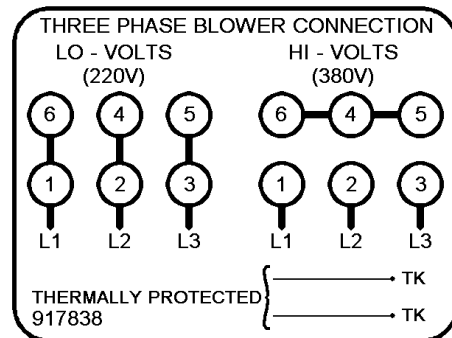
3 Phase 230 Volt
Decal # 932273



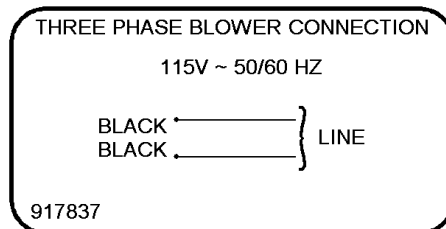
3 Phase 460 Volt
Decal # 932274



3 Phase 230/460 Volt
Decal # 974619



3 Phase 220/380 Volt
Decal # 917838



1 Phase 115 Volts @ 50/60 HZ
Decal # 917837, *W/O Thermal Protection

To reverse direction of rotation, interchange leads L1 & L2.

Each lead may have one or more cables comprising that lead. In such case, each cable will be marked with the appropriate lead number.