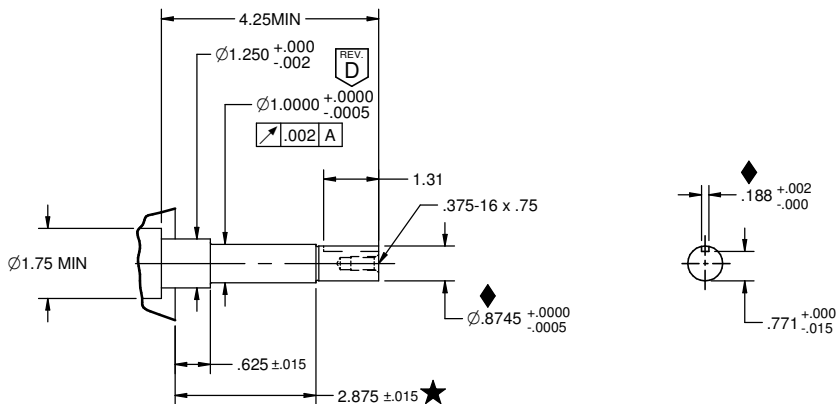
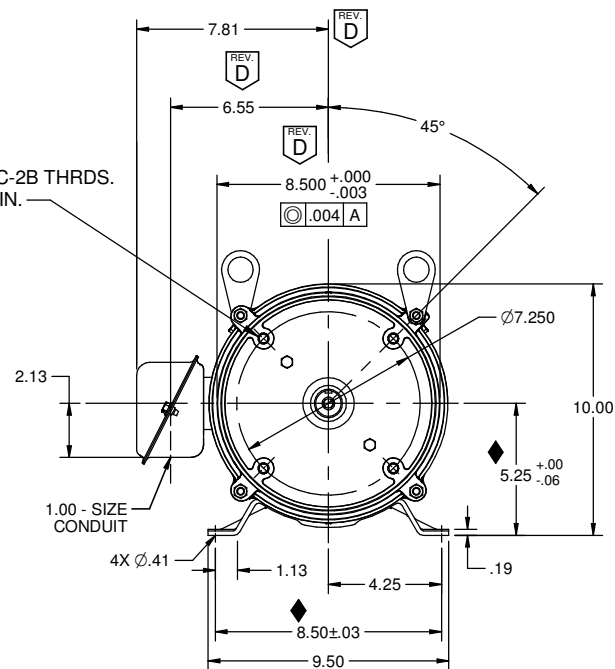


4 HOLES
 .500 - 13 UNC-2B THRDS.
 .75" DEEP MIN.



USEM M/N	CATALOG	HP	PHASE	FREQ	VOLTS	SPEED	FRAME	TYPE	INSUL. CLASS
DA99	EEQK1000	10	3	60	208-230/460	3505-3525/3525	213JMZ	DE-4	F
CODE	NNE	FLA	PF	SF	TYP. SF EFF.	SF AMPS	PF @ SF		
G/J/J	90.2-90.2/90.2	27.0-26.2/13.1	85.1-79.2/79.2	1.15	89.7-90.4/90.4	31.0-29.4/14.7	85.6-81.2/81.2		
		MIN. EFF.							
		88.5-88.5/88.5							

NOTES	
①	MOTOR PAINTED WITH BLACK-SEMI GLOSS-43-2747
②	303 STAINLESS STEEL SHAFT EXTENSION
③	BURNDY GKA4C GROUNDING LUG OR EQUIVALENT WITH LOCKWASHER BETWEEN LUG AND FOOT
④	GASKET BOTH SIDES OF SPACER
⑤	GASKET BETWEEN OUTLET BOX COVER AND OUTLET BOX BASE

NOTES (UNLESS OTHERWISE SPECIFIED):

- 1. ★ - CUSTOMER CRITICAL DIMENSION.
- 2. ◆ - MAJOR DIMENSION.

ITEMS AND MATERIALS SPECIFIED HEREIN MUST COMPLY WITH THE EUROPEAN REDUCTION OF HAZARDOUS SUBSTANCES (REHS 2) DIRECTIVE 2011/65/EU, REGULATIONS (EC) NO. 1907/2006 ("REACH") AS OF 1 JUNE 2007 AND ALL SUBSEQUENT UPDATES. PLEASE REFER TO THE OFFICIAL EU DOCUMENTS FOR COMPLETE DEFINITION, RESTRICTIONS, AND LIMITS FOR EACH SUBSTANCE.

NIDEC CONFIDENTIAL
 NIDEC MOTOR CORPORATION 23-MAY-17

REVISION DESCRIPTION FOR: D3420-00
 ADDED G TOL, DIMENSION 8.500 AND MODIFIED DIM 7.81 WAS 7.63 AND DIM 6.55 WAS 6.38

MATERIAL:

SCALE: NONE INCHES
 TOLERANCES ON DIMENSIONS (UNLESS OTHERWISE SPECIFIED): INCHES mm
 ANGLES X°= ±1°

TITLE: DRAWING, DIMENSION
 ISSUED BY: L. ALBELDAÑO
 APPROVED BY: P. ORTEGA
 CODE: DWG NO. 0645554

NIDEC MOTOR CORPORATION
 REVISION DATE: 22-JUN-18
 REV: D SHEET NUMBER: 1 OF 1 DWG SIZE: B