

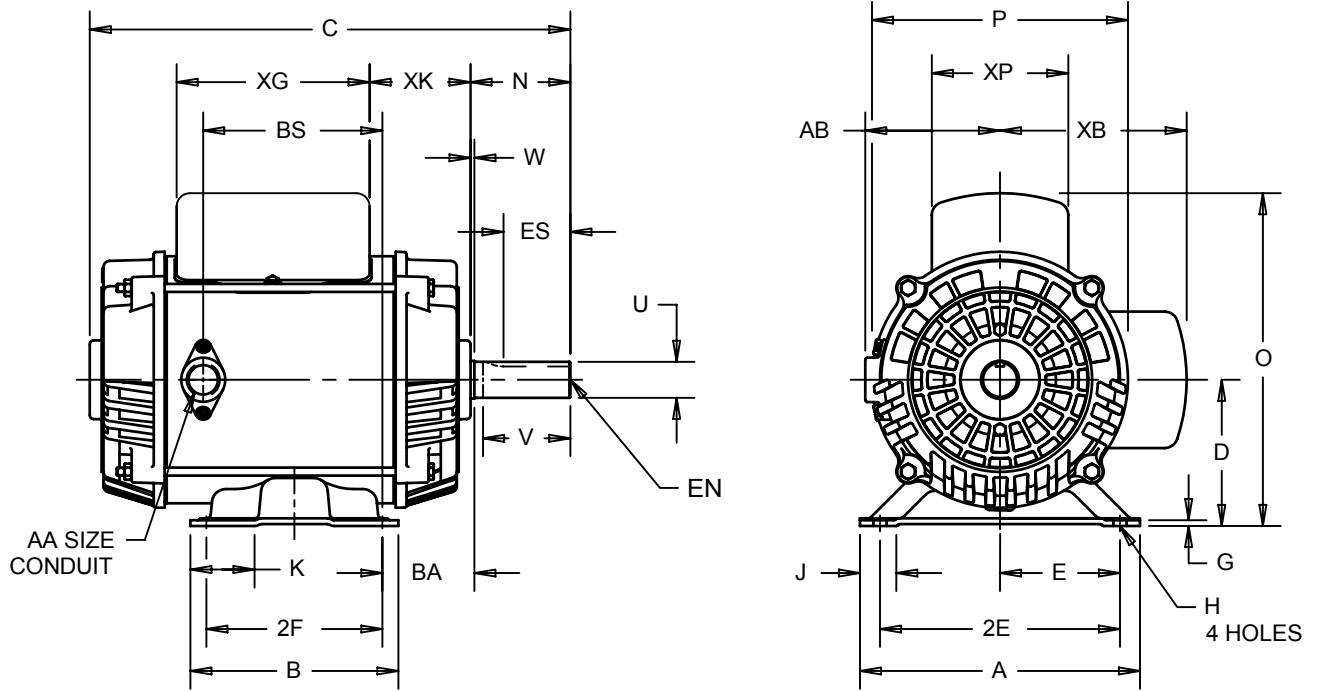
EFFECTIVE:
04-JUL-11

SUPERSEDES:
01-JAN-93

HORIZONTAL MOTORS
FARM DUTY - SINGLE PHASE
FRAME: 184TZ
BASIC TYPE: DMA

PRINT:
07-1442

SHEET:
1 OF 1



ALL DIMENSIONS ARE IN INCHES AND MILLIMETERS

UNITS	A	B	C	D -.06	E	2E	2F	G	H	J	K	N	O	P ²
IN	8.75	6.50	18.41	4.50	3.75	7.50	5.50	.19	.44	1.13	2.00	3.38	10.53	8.00
MM	222	165	468	114	95	191	140	5	11	29	51	86	267	203

UNITS	U -.0005	V MIN	W	AA	AB	BA	BS	EN ³	ES MIN	XB	XG	XK	XP	SQ KEY
IN	1.1250	3.09	.13	.75	4.63	2.75	8.84	.250-20 UNC X 1.00	2.00	6.06	6.03	6.44	4.25	.250
MM	28.575	79	3		117	70	225		51	154	153	164	108	6.35

- 1: ALL ROUGH CASTING DIMENSIONS MAY VARY BY .25" DUE TO CASTING AND / OR FABRICATION VARIATIONS.
- 2: LARGEST MOTOR WIDTH.
- 3: TAP SIZE AND BOLT PENETRATION ALLOWANCE.
- 4: TOLERANCE SHOWN ARE IN INCHES ONLY.

07-1442/A

Nidec Motor Corporation
St. Louis, Missouri

INFORMATION DISCLOSED ON THIS DOCUMENT IS CONSIDERED PROPRIETARY AND SHALL NOT BE REPRODUCED OR DISCLOSED WITHOUT WRITTEN CONSENT OF NIDEC MOTOR CORPORATION



ISSUED BY
A. HINGANKAR
APPROVED BY
R. KING

IHP_DP_NMCA (MAR-2011) SOLIDEDGE