

EFFECTIVE:
12-JUL-11

HORIZONTAL MOTORS

UNIMOUNT CLOSE - COUPLED PUMP MOTORS - SINGLE PHASE

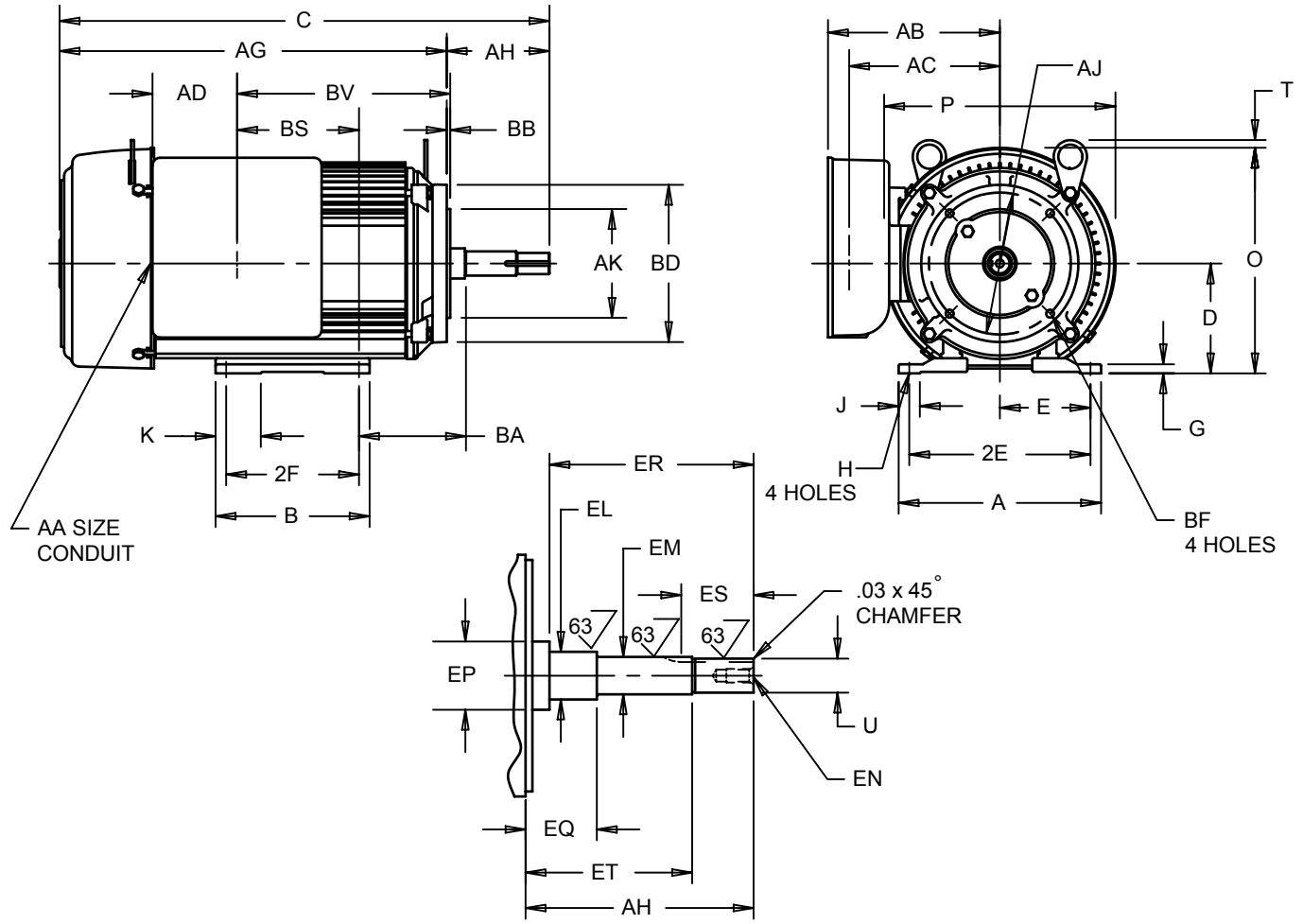
PRINT:
07-1736

SUPERSEDES:
30-AUG-93

FRAME: 184JP, 184JM
BASIC TYPE: UTM-1, UTM-4

SHEET:
1 OF 1

STANDARD F-1 ASSEMBLY



ALL DIMENSIONS ARE IN INCHES

UNITS	A	B	D -.06	E	2E	2F	G	H	J	K	O	P ⁵	T	U -.0005	AA
IN	8.38	6.38	4.50	3.75	7.50	5.50	0.38	.41	.88	1.88	9.28	9.56	.38	.8745	.75
MM	213	162	114	95	191	140	10	10	22	48	236	243	10	22.215	

UNITS	AG	AJ	AK	BB -.031	BD	BF ²	BS	BV	EL -.002	EM -.0005	EN ²	EP MIN	ES MIN	SQ KEY
IN	16.03	5.88	4.50	.156	6.50	3/8-16x5/8	5.25	8.87	1.250	1.0000	3/8-16x3/4	1.25	1.66	.188
MM	407	149	114	3.97	165		133	225	31.75	25.400		32	42	4.76

FRAME	MOTOR TYPE	HP	UNITS	C	AB	AC	AD	AH ±.031	BA	EQ ±.015	ER MIN	ET ±.015
184JM	UTM-4	3	IN	20.28	7.31	6.19	3.50	4.250	4.25	.625	4.25	2.875
			MM	515	186	157	89	107.95	108	15.88	108	73.03
184JM	UTM-4	5	IN	20.28	8.63	6.44	5.56	4.250	4.25	.625	4.25	2.875
			MM	515	219	164	141	107.95	108	15.88	108	73.03
184JP	UTM-1	3	IN	23.34	7.31	6.19	3.50	7.313	5.19	1.563	7.31	5.938
			MM	593	186	157	89	185.74	132	39.69	186	150.81
184JP	UTM-1	5	IN	23.34	8.63	6.44	5.56	7.313	5.19	1.563	7.31	5.938
			MM	593	219	164	141	185.74	132	39.69	186	150.81

- 1: ALL ROUGH CASTING DIMENSIONS MAY VARY BY .25" DUE TO CASTING AND OR FABRICATION VARIATIONS.
- 2: TAP SIZE AND BOLT PENETRATION ALLOWANCE.
- 3: ALL TAPPED HOLES ARE UNIFIED NATIONAL COARSE, RIGHT HAND THREAD.

- 4: NO OPTIONAL ASSEMBLY POSITION AVAILABLE.
- 5: LARGEST MOTOR WIDTH.
- 6: TOLERANCES SHOWN ARE IN INCHES ONLY.

TOLERANCES	
FACE RUNOUT	.004 T.I.R.
PERMISSIBLE ECCENTRICITY OF MOUNTING RABBIT	.004 T.I.R.
PERMISSIBLE SHAFT RUNOUT	.002 T.I.R.

07-1736/A

Nidec Motor Corporation
St. Louis, Missouri

INFORMATION DISCLOSED ON THIS DOCUMENT IS CONSIDERED PROPRIETARY AND SHALL NOT BE REPRODUCED OR DISCLOSED WITHOUT WRITTEN CONSENT OF NIDEC MOTOR CORPORATION



ISSUED BY
A. HINGANKAR
APPROVED BY
R. KING

IHP_DP_NMCA (MAR-2011) SOLIDEDGE