

EFFECTIVE:
13-JUL-11

HORIZONTAL MOTORS

UNIMOUNT CLOSE COUPLED PUMP MOTORS - SINGLE PHASE

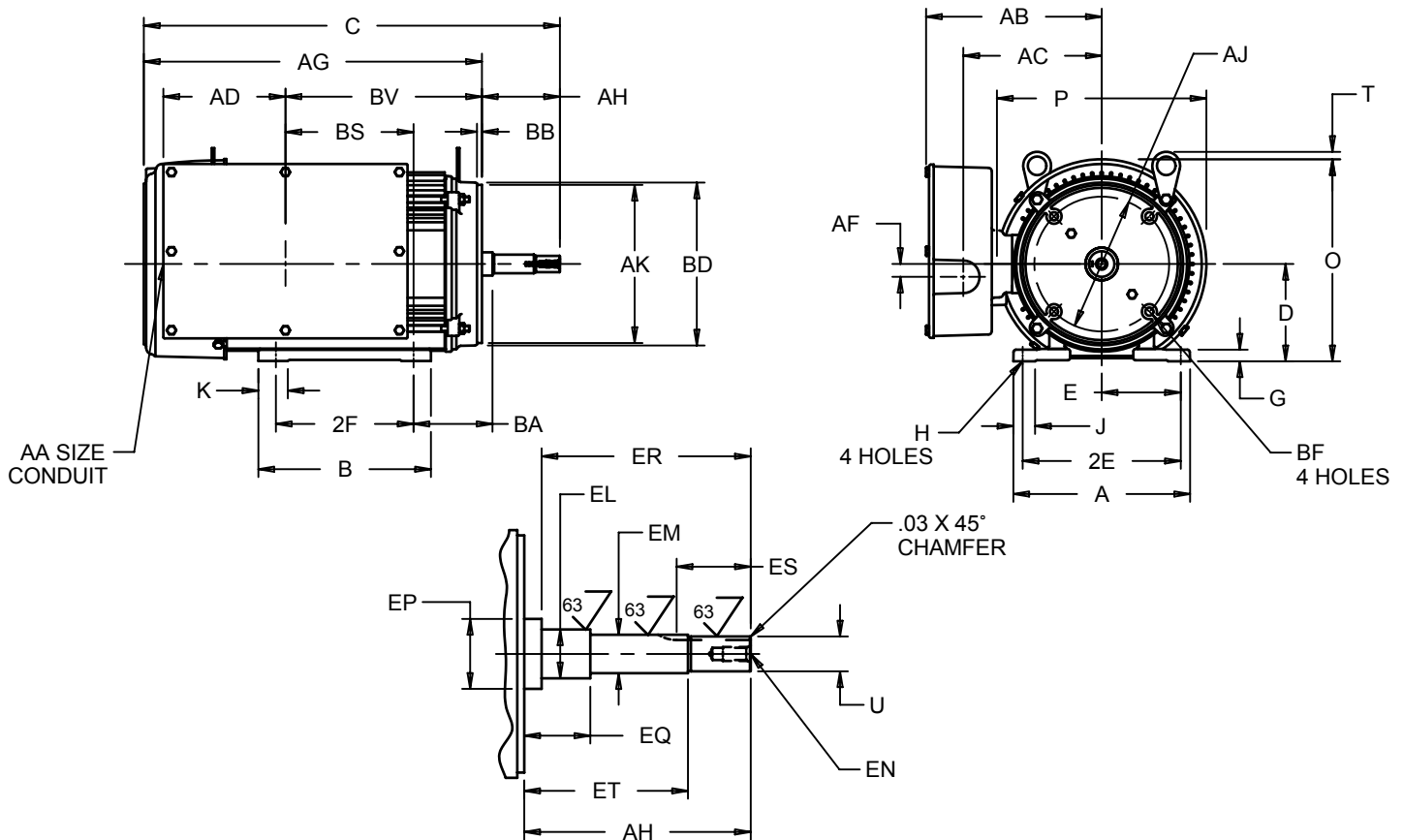
PRINT:
07-1737

SUPERSEDES:
26-AUG-93

FRAME: 215JP, 215JM
BASIC TYPE: UTM-1, UTM-4

SHEET:
1 OF 1

STANDARD F-1 ASSEMBLY



ALL DIMENSIONS ARE IN INCHES AND MILLIMETERS

UNITS	A	B	D -.06	E	2E	2F	G	H	J	K	O	P ⁵	T	AA
IN	9.50	8.88	5.25	4.25	8.50	7.00	.63	.44	1.16	1.63	10.88	11.25	.50	1.00
MM	241	225	133	108	216	178	16	11	29	41	276	286	13	

UNITS	AB	AC	AD	AF	AG	AJ	AK	BB	BD	BF ²	BS	BV	EP
IN	9.44	7.44	6.50	.69	18.06	7.25	8.5	.313	8.75	1/2-13 X 13/16	5.88	10.38	1.75
MM	240	189	165	17	459	184	216	7.94	222		149	264	44

FRAME	UNITS	MOTOR TYPE	C	U -.0005	AH ±.031	BA	EL -.002	EM -.0005	EN ²	EQ ±.015	ER MIN	ES MIN
215 JP	IN	UTM-1	26.19	1.2495	8.125	6.88	1.750	1.3750	1/2-13 X 1	2.375	8.13	2.53
	MM		665	31.737	206.34	175	44.45	34.925		60.33	206	64
215 JM	IN	UTM-4	22.31	.8745	4.250	5.13	1.250	1.0000	3/8-16 X 3/4	.625	4.25	1.66
	MM		567	22.212	107.95	130	31.75	25.400		15.88	108	42

FRAME	UNITS	MOTOR TYPE	ET ±.015	SQ KEY
215 JP	IN	UTM-1	5.875	.250
	MM		149.23	6.35
215 JM	IN	UTM-4	2.875	.190
	MM		73.03	4.76

- 1: ALL ROUGH CASTING DIMENSIONS MAY VARY BY .25" DUE TO CASTING AND/OR FABRICATION VARIATIONS.
- 2: TAP SIZE AND BOLT PENETRATION ALLOWANCE.
- 3: ALL TAPPED HOLES ARE UNIFIED NATIONAL COARSE, RIGHT HAND THREAD.
- 4: NO OPTIONAL ASSEMBLY POSITION AVAILABLE.
- 5: LARGEST MOTOR WIDTH.
- 6: TOLERANCE SHOWN ARE IN INCHES ONLY.

TOLERANCES	
FACE RUNOUT	.004 T. I. R.
PERMISSIBLE ECCENTRICITY OF MOUNTING RABBET	.004 T. I. R.
PERMISSIBLE SHAFT RUNOUT	.002 T. I. R.

07-1737/A

Nidec Motor Corporation
St. Louis, Missouri

INFORMATION DISCLOSED ON THIS DOCUMENT IS CONSIDERED PROPRIETARY AND SHALL NOT BE REPRODUCED OR DISCLOSED WITHOUT WRITTEN CONSENT OF NIDEC MOTOR CORPORATION



ISSUED BY
D.MISAL
APPROVED BY
R. KING

IHP_DP_NMCA (MAR-2011) SOLIDEDGE