

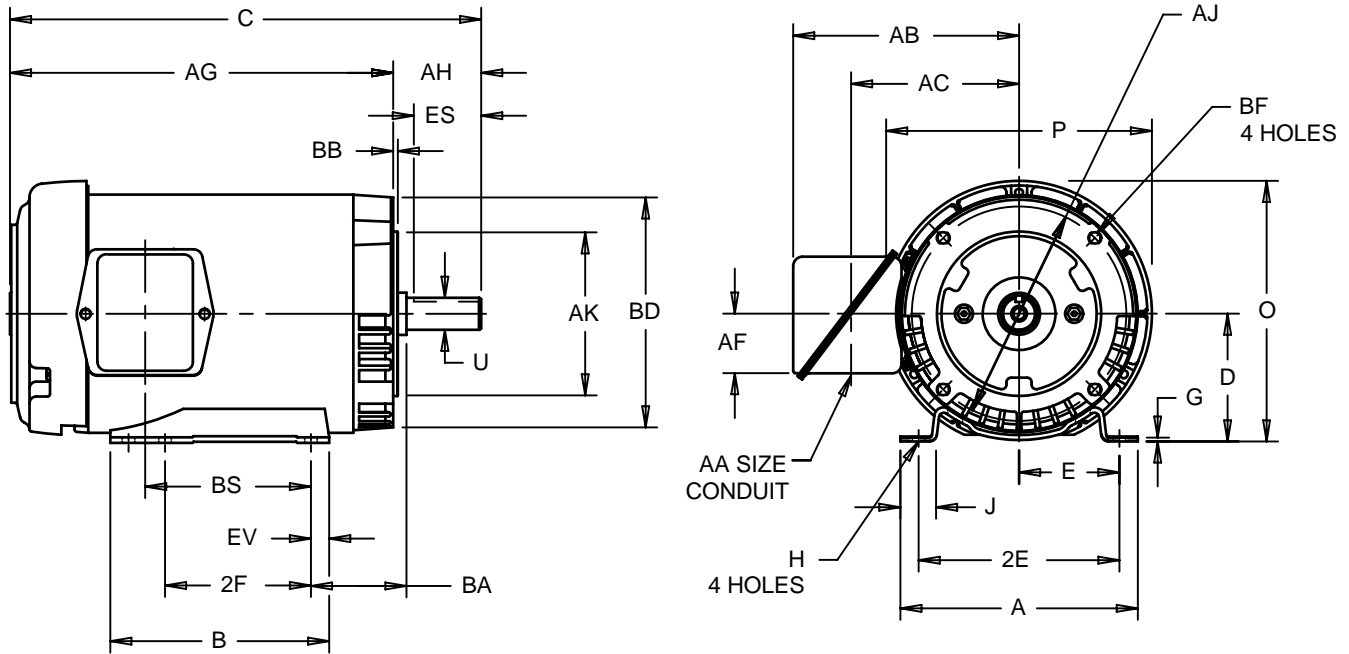
EFFECTIVE:
17-JUL-12

SUPERSEDES:
07-JUL-11

HORIZONTAL MOTORS
TEFC - 6.75 FRAME
FRAME: 56C
BASIC TYPE: FUT, UTI, UTE, UT

PRINT:
07-1836

SHEET:
1 OF 1



ALL DIMENSIONS ARE IN INCHES AND MILLIMETERS

UNITS	A	B	C	D -.06	E	2E ±.03	2F ±.03	G	H +.005	J	O	P ²	U -.0005
IN	6.50	4.00	12.06	3.50	2.44	4.88	3.00	.13	.34 x 1.25	1.63	7.16	7.28	.6250
MM	165	102	306	89	62	124	76	3		41	182	185	15.875

UNITS	AA	AB	AC	AF	AG	AH	AJ	AK -.003
IN	.75	6.09	4.50	1.59	10.00	2.06	5.875	4.500
MM		155	114	40	254	52	149.23	114.30

UNITS	BA	BB MIN	BD MAX	BF 4	BS	ES MIN	EV	SQ KEY
IN	2.75	.13	6.50	.375 - 16 x .75	3.59	1.53	.50	.188
MM	70	3	165		91	39	13	4.78

- 1: ALL ROUGH CASTING DIMENSIONS MAY VARY BY .25" DUE TO AND / OR CASTING VARIATIONS.
- 2: LARGEST MOTOR WIDTH.
- 3: CONDUIT BOX MAY BE LOCATED ON EITHER SIDE OF MOTOR. CONDUIT OPENINGS MAY BE LOCATED IN STEPS OF 90° REGARDLESS OF LOCATION. STANDARD AS SHOWN WITH CONDUIT OPENING DOWN.
- 4: TOLERANCE SHOWN ARE IN INCHES ONLY.

07-1836/D

Nidec Motor Corporation
St. Louis, Missouri

INFORMATION DISCLOSED ON THIS DOCUMENT IS CONSIDERED PROPRIETARY AND SHALL NOT BE REPRODUCED OR DISCLOSED WITHOUT WRITTEN CONSENT OF NIDEC MOTOR CORPORATION



ISSUED BY
R. KING
APPROVED BY
J. O'BRIEN

IHP_DP_NMCA (MAR-2011) SOLIDEDGE