

EFFECTIVE:  
06-JUL-11

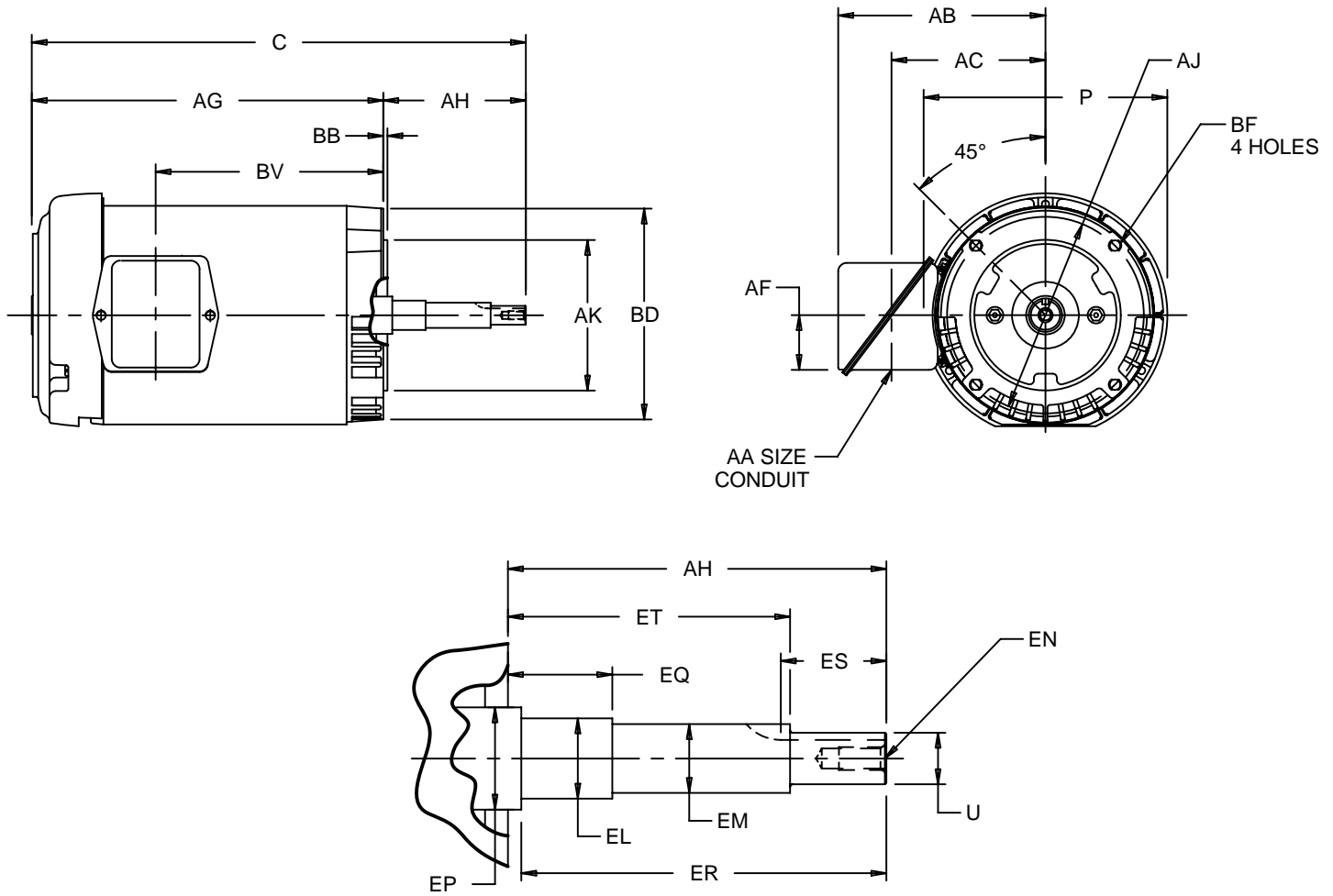
SUPERSEDES:  
09-JUN-09

# HORIZONTAL MOTORS

TEFC - CLOSE COUPLED PUMP  
FRAME: 143, 145JP  
BASIC TYPE: UTF-1

PRINT:  
07-1855

SHEET:  
1 OF 1



ALL DIMENSIONS ARE IN INCHES AND MILLIMETERS

UNITS	C	P <sup>2</sup>	U	AA	AB	AC	AF	AG	AH	AJ	AK	BB	BD
IN	17.31	7.31	-.0005	.75	6.13	4.50	1.59	10.00	7.31	5.875	4.500	-.06	MAX
MM	440	186	22.212		156	114	40	254	186	149.23	114.30	3	168

UNITS	BF <sup>4</sup>	BV	EL	EM	EN <sup>4</sup>	EP	EQ	ER	ES	ET	EV	SQ
IN	3/8-16 X .75	6.19	1.156	1.0000	3/8-16 X .75	1.16	1.563	7.31	1.65	5.938	.50	.188
MM		157	29.36	25.400		29	39.70	186	42	150.83	13	4.78

1. ALL ROUGH DIMENSIONS MAY VARY BY .25" DUE TO CASTING AND/OR FABRICATION VARIATIONS.
2. LARGEST MOTOR WIDTH.
3. CONDUIT BOX MAY BE LOCATED ON EITHER SIDE. CONDUIT OPENINGS MAY BE LOCATED IN STEPS OF 180° REGARDLESS OF LOCATION. STANDARD AS SHOWN WITH CONDUIT OPENING DOWN.
4. TAP SIZE AND BOLT PENETRATION ALLOWANCE.
5. ALL TAPPED HOLES ARE UNIFIED NATIONAL COARSE, RINGHT HAND THREAD.
6. TOLERANCES SHOWN ARE IN INCHES ONLY.
7. FRAME REFERENCE: 6.750/143/145

TOLERANCES	
FACE RUNOUT	.004 T.I.R.
PERMISSIBLE ECCENTRICITY OF MOUNTING RABBET	.004 T.I.R.
PERMISSIBLE SHAFT RUNOUT	.002 T.I.R.

07-1855/A

**Nidec Motor Corporation**  
St. Louis, Missouri

INFORMATION DISCLOSED ON THIS DOCUMENT IS CONSIDERED PROPRIETARY AND SHALL NOT BE REPRODUCED OR DISCLOSED WITHOUT WRITTEN CONSENT OF NIDEC MOTOR CORPORATION



ISSUED BY  
D. MISAL  
APPROVED BY  
R. KING

IHP\_DP\_NMCA (MAR-2011) SOLIDEDGE