

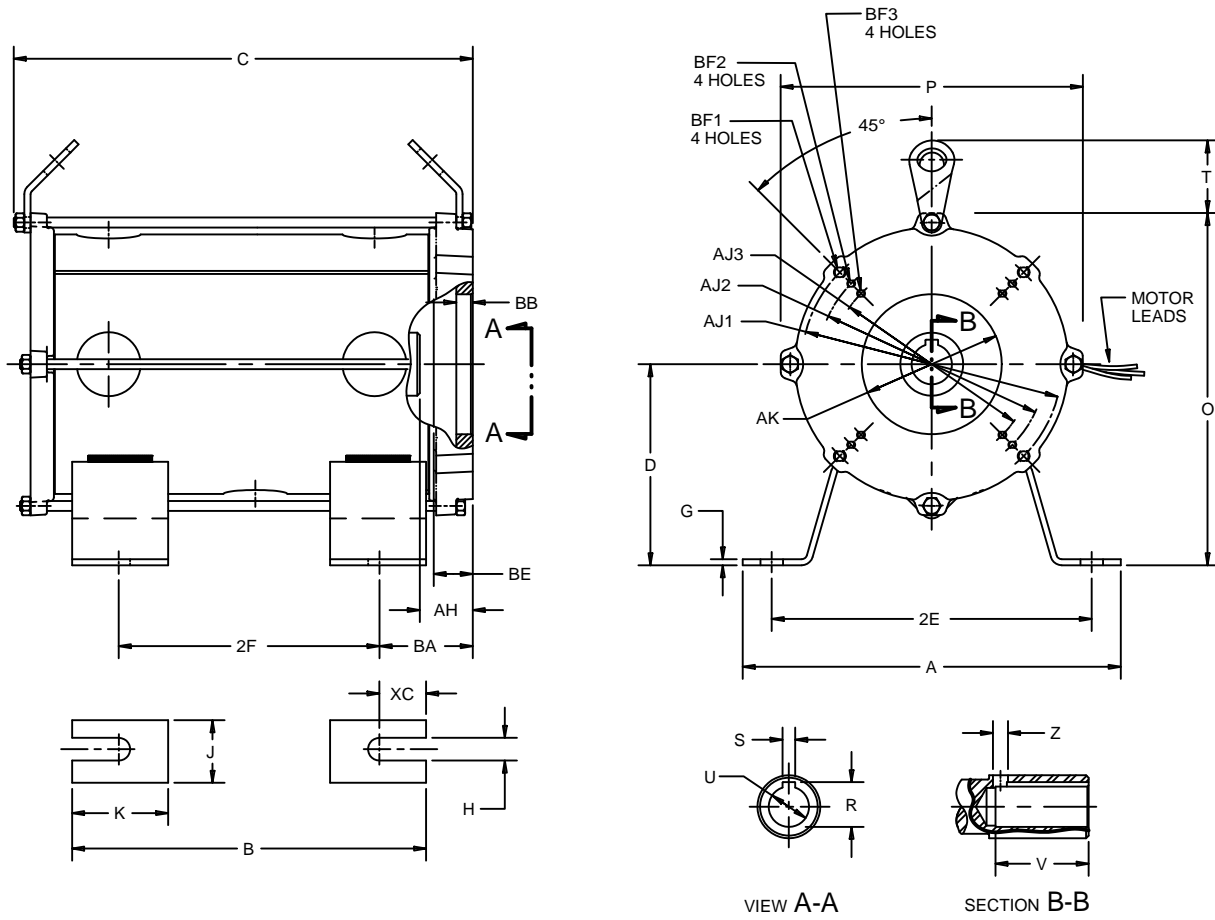
EFFECTIVE:
04-FEB-14

DIMENSION PRINT
THREE PHASE, 3600RPM
FRAME: 160ZBS
BASIC TYPE: IMH

PRINT:
07-1894

SUPERSEDES:
21-APR-11

SHEET:
1 OF 1



MOTOR LEADS

TOTAL LENGTH	BUTT SPLICES	
87"	12"	47"
2200 MM	300 MM	1200 MM
TOLERANCE: ±1" or ±25 MM WHEN MEASURED FROM FACE OF REAR BRACKET (END BELL).		

SHAFT DIMENSIONS

UNITS	R	S	U
INCHES	1.407 1.390	.398 .395	1.262 1.261
MM	35.74 35.31	10.11 10.03	32.06 32.03

ENG. REF.
15-30 HP

UNITS	V	Z
INCHES	2.913 ±.015	.472 ±.015
MM	74.0 ±.38	12.0 ±.38

MOTOR DIMENSIONS

UNITS	A	B	C	D	2E	2F	G	H	J	K	O	P	T
INCHES	11.81	11.06	14.13	6.30	10.00	8.15	.19	.75	1.97	3.00	11.06	9.53	2.28
TOL.	±.06	±.06	±.12	±.06	±.06	±.06	±.015	±.015	±.06	±.06	±.12	±.12	±.12
MM	300	281	359	160	254	207	4.83	19	50	76.2	281	242	57.91
TOL.	±1.5	±1.5	±3.0	±1.5	±1.5	±1.5	±.38	±.38	±1.5	±1.5	±3.0	±3.0	±3.0

UNITS	AH	AJ1	AJ2	AJ3	AK	BA	BB	BE	BF1 ¹	BF2 ¹	BF3 ¹	XC
INCHES	1.596	8.125	7.125	6.250	4.376	2.84	.51	1.146	.375-16	.250-20	.250-20	1.46
TOL.	1.557	±.015	±.015	±.015	4.375	±.06	±.06	1.142	X .56	X .50	X .50	±.06
MM	40.55	206.4	181.0	158.8	111.15	72	13	29.1				37
TOL.	39.55	±.38	±.38	±.38	111.13	±1.5	±1.5	29.0				±1.5

1. TAP SIZE & BOLT PENETRATION ALLOWANCE

07-1894/B

Nidec Motor Corporation
St. Louis, Missouri

INFORMATION DISCLOSED ON THIS DOCUMENT IS CONSIDERED PROPRIETARY AND SHALL NOT BE REPRODUCED OR DISCLOSED WITHOUT WRITTEN CONSENT OF NIDEC MOTOR CORPORATION



ISSUED BY
R. KING
APPROVED BY
J. HAGENE

IHP_DP_NMCA (MAR-2011) SOLIDEDGE