

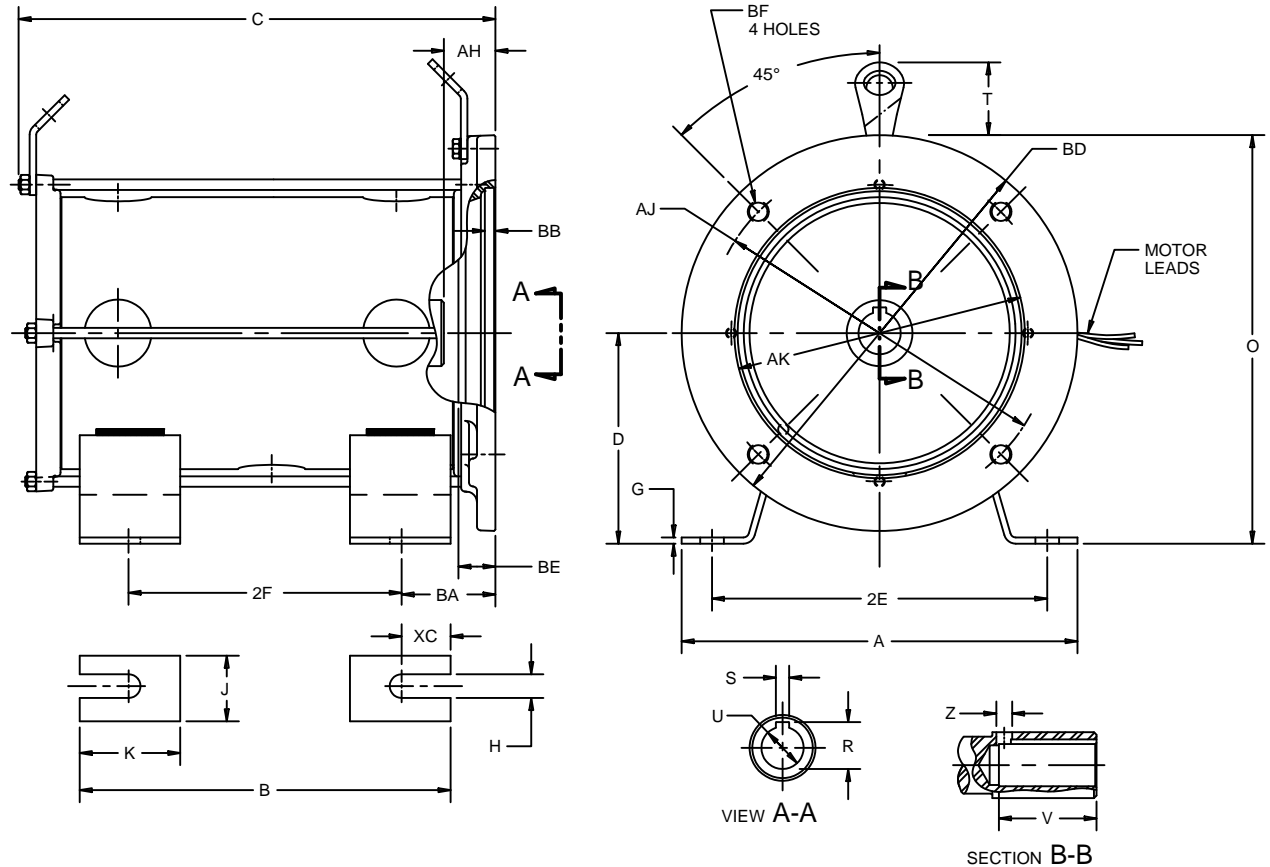
EFFECTIVE:
04-FEB-14

DIMENSION PRINT
THREE PHASE
FRAME: 160LCS
BASIC TYPE: IMH

PRINT:
07-1898

SUPERSEDES:
21-APR-11

SHEET:
1 OF 1



ENG. REF.
40-50 HP

MOTOR LEADS

TOTAL LENGTH	BUTT SPLICES	
87"	12"	47"
2200 MM	300 MM	1200 MM
TOLERANCE: ±1" or ±25 MM WHEN MEASURED FROM FACE OF REAR BRACKET(END BELL).		

SHAFT DIMENSIONS

UNITS	R	S	U	UNITS	V	Z
INCHES	1.407	.398	1.262	INCHES	2.913	.472
	1.390	.395	1.261	TOL.	±.015	±.015
MM	35.74	10.11	32.06	MM	74.0	12.0
	35.31	10.03	32.03	TOL.	±.38	±.38

MOTOR DIMENSIONS

UNITS	AH	AJ	AK	BA	BB	BD	BE	BF ¹	XC
INCHES	1.557	10.236	8.667	2.80	.32	11.81	1.106	X	1.46
TOL.	1.518	±.015	8.655	±.06	±.06	±.06	1.102		±.06
MM	39.55	260.0	220.15	71	8	300	28.1	M16-2	37
TOL.	±.38	±.38	±.38	±1.5	±1.5	±1.5	±.38	THRU	±1.5

UNITS	A	B	C	D	2E	2F	G	H	J	K	O	T
INCHES	11.81	11.06	17.44	6.30	10.00	8.15	.19	.75	1.97	3.00	12.20	2.17
TOL.	±.06	±.06	±.12	±.06	±.06	±.06	±.015	±.015	±.06	±.06	±.12	±.12
MM	300	281	443	160	254	207	4.83	19	50	76.2	310	55.12
TOL.	±1.5	±1.5	±3.0	±1.5	±1.5	±1.5	±.38	±.38	±1.5	±1.5	±3.0	±3.0

1. TAP SIZE & BOLT PENETRATION ALLOWANCE.

