

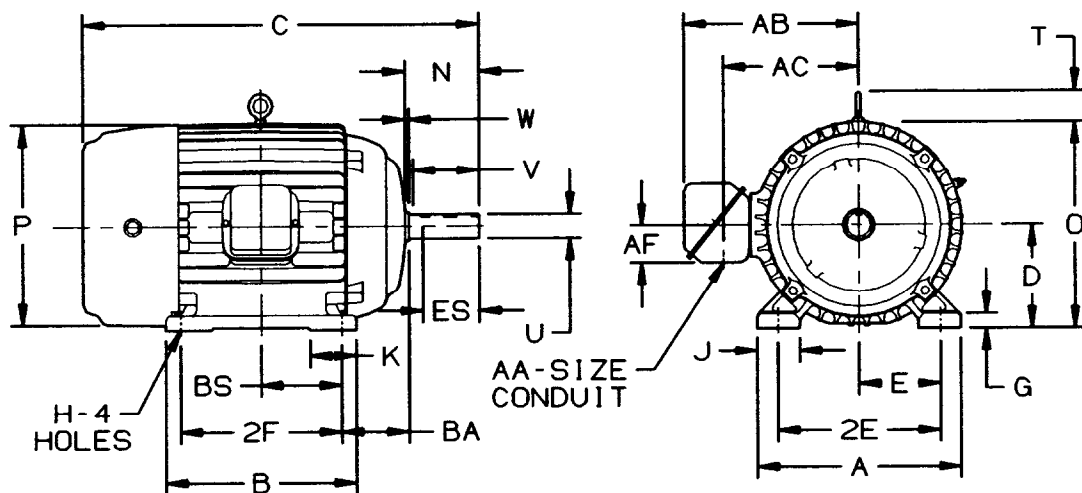
HORIZONTAL MOTORS

TEFC
 FRAME: 280T
 TYPE: CT,CTE,CTI,FCT

PRINT #: 07/1938
 EFFECTIVE: 4-MAR-01
 SUPERSEDES: 8-JAN-97

STANDARD F-1 ASSEMBLY

SHEET 1 OF 1



ALL DIMENSIONS ARE IN INCHES AND MILLIMETERS

UNITS	A	E	G	J	K	N	O	P ²	T
IN	13.75	5.50	1.00	2.88	3.13	5.06	14.00	14.00	2.03
MM	349	140	25	73	80	129	356	356	52

UNITS	V MIN	W	AA	AB	AC	AF	BA	ES MIN	SQ KEY
IN	4.41	.44	1.50	11.72	9.09	2.53	4.75	3.56	.500
MM	112	11	1.50	298	231	64	121	90	12.70

FRAME	UNITS	B	C	BS	D -.06	2E ±.03	2F ±.03	H +.05	U -.001
284T	IN	11.50	25.50	4.75	7.00	11.00	9.50	.50	1.875
	MM	292	648	121	178	279	241	13	47.63
286T	IN	13.00	27.00	5.50	7.00	11.00	11.00	.50	1.875
	MM	330	686	140	178	279	279	13	47.63

1: ALL ROUGH CASTING DIMENSIONS MAY VARY BY .25"
 DUE TO CASTING VARIATIONS.
 2: LARGEST MOTOR WIDTH.
 3: ALL TOLERANCE UNITS ARE IN INCHES.

4: CONDUIT BOX MAY BE LOCATED ON EITHER SIDE
 OF MOTOR. CONDUIT OPENINGS MAY BE LOCATED IN
 STEPS OF 90 DEGREES REGARDLESS OF LOCATION.
 STANDARD AS SHOWN WITH CONDUIT OPENING DOWN.

CERTIFIED BY: _____ DATE: _____

07/1938/A



U.S. ELECTRICAL MOTORS
 DIVISION OF EMERSON ELECTRIC CO.



DO NOT USE FOR CONSTRUCTION
 PURPOSES UNLESS CERTIFIED