

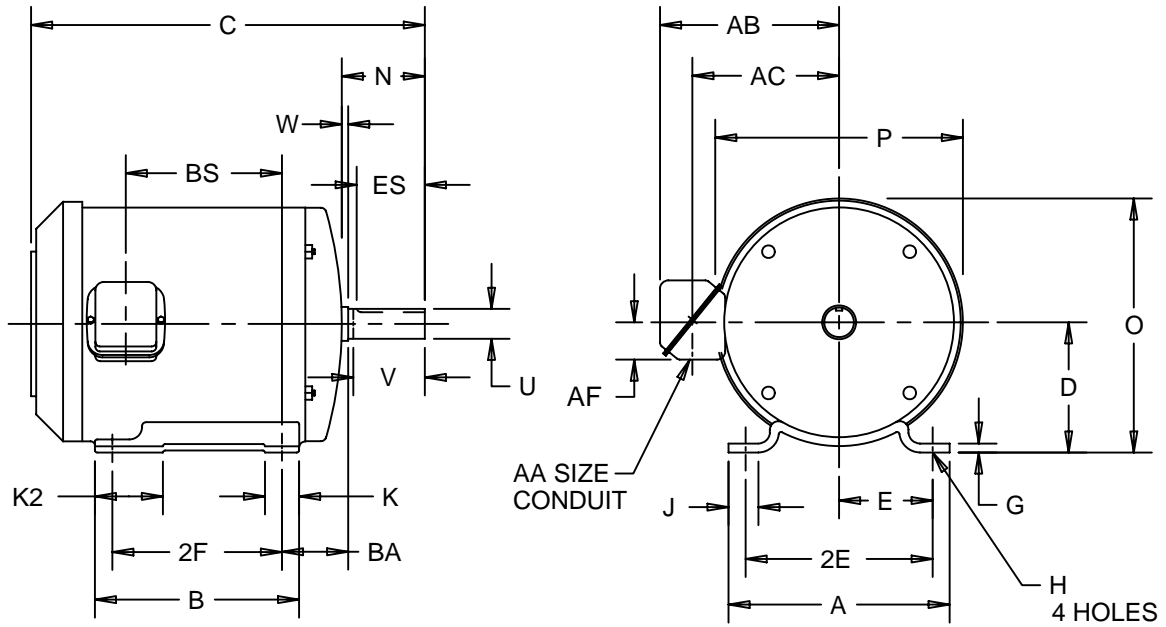
EFFECTIVE:  
14-JUN-11

SUPERSEDES:  
06-APR-01

**HORIZONTAL MOTORS**  
TEFC - 6.50" FRAME LENGTH  
FRAME: 140T  
BASIC TYPE: CT

PRINT:  
07-1991

SHEET:  
1 OF 1



ALL DIMENSIONS ARE IN INCHES AND MILLIMETERS

UNITS	A	B	C	E	G	J	K	K2	N	O	P <sup>2</sup>
IN	6.50	6.00	12.88	2.75	.13	1.00	.94	1.88	2.38	7.38	7.75
MM	165	152	327	70	3	25	24	48	60	187	197

UNITS	V MIN	W	AA	AB	AC	AF	BA	BS	ES MIN	SQ KEY
IN	2.00	.13	.75	6.13	4.66	1.59	2.25	4.38	1.41	.188
MM	51	3		156	118	40	57	111	35	4.78

FRAME	UNITS	D <sup>4</sup> -.06	2E <sup>4</sup> ±.03	2F <sup>4</sup> ±.03	H <sup>4</sup> +.05	U <sup>4</sup> -.0005
143T	IN	3.50	5.50	4.00	.34	.8750
	mm	89	140	102	9	22.225
145T	IN	3.50	5.50	5.00	.34	.8750
	MM	89	140	127	9	22.225

- 1: ALL ROUGH CASTING DIMENSIONS MAY VARY BY .25" DUE TO CASTING AND/OR FABRICATION VARIATIONS.
- 2: LARGEST MOTOR WIDTH.
- 3: CONDUIT BOX MAY BE LOCATED ON EITHER SIDE OF MOTOR. CONDUIT OPENINGS MAY BE LOCATED IN STEPS OF 90 DEGREES REGARDLESS OF LOCATION. STANDARD AS SHOWN WITH CONDUIT OPENING DOWN.
- 4: TOLERANCE IS IN INCHES ONLY.

07-1991/D

**Nidec Motor Corporation**  
St. Louis, Missouri

INFORMATION DISCLOSED ON THIS DOCUMENT IS CONSIDERED PROPRIETARY AND SHALL NOT BE REPRODUCED OR DISCLOSED WITHOUT WRITTEN CONSENT OF NIDEC MOTOR CORPORATION



ISSUED BY  
**R. KING**  
APPROVED BY  
**K. POTTER**

IHP\_DP\_NMCA (MAR-2011) SOLIDEDGE