

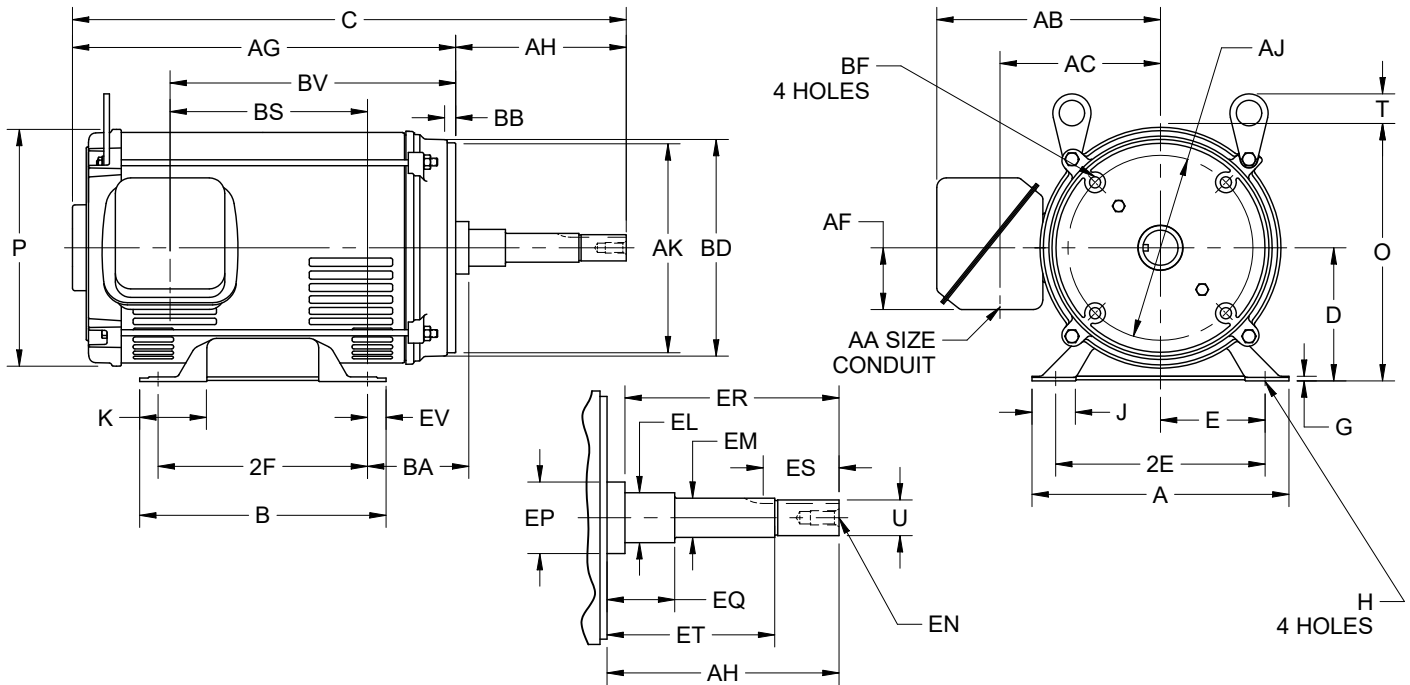
EFFECTIVE:  
**24-JAN-22**

SUPERSEDES:  
**22-JAN-12**

**DIMENSION PRINT**  
**ODP-CLOSE COUPLED PUMP W/OVERSIZED OUTLET BOX**  
**FRAME: 213, 215JM**  
**BASIC TYPE: D-4**

PRINT:  
**07-2012-01**

SHEET:  
**1 OF 1**



ALL DIMENSIONS ARE IN INCHES AND MILLIMETERS

UNITS	A	D -.06	E	2E ±.03	G	H +.05	J	K	O	P <sup>2</sup>	T	U -.0005
IN	9.50	5.25	4.25	8.50	.19	.41	1.13	1.00	10.00	9.44	1.28	.8745
MM	241	133	108	216	5	10	29	25	254	240	33	22.212

UNITS	AA	AB	AC	AF	AH ±.031	AJ	AK +.003	BA	BB ±.031	BD MAX	BF <sup>3</sup>	EL -.002
IN	1.00	8.84	7.22	2.63	4.250	7.250	8.500	4.25	.281	9.00	1/2-13X.75	1.250
MM		225	183	67	107.95	184.15	215.90	108	7.13	229		31.75

UNITS	EM -.0005	EN <sup>3</sup>	EP MIN	EQ ±.015	ER MIN	ES MIN	ET ±.015	EV	SQ KEY
IN	1.0000	3/8-16 X .75	1.75	.625	4.25	1.65	2.875	.50	.19
MM	25.400		44	15.88	108	42	73.02	12	5

FRAME	UNITS	B	C	2F ±.03	AG	BS	BV
213	IN	6.50	17.75	5.50	13.50	6.66	11.06
	MM	165	451	140	343	169	281
215	IN	8.00	19.25	7.00	15.00	8.16	12.56
	MM	203	489	178	381	461	319

1. ALL ROUGH CASTING DIMENSIONS MAY VARY BY .25" DUE TO CASTING AND OR FABRICATION VARIATIONS.
2. LARGEST MOTOR WIDTH.
3. TAP SIZE AND BOLT PENETRATION ALLOWANCE.
4. CONDUIT BOX MAY BE LOCATED ON EITHER SIDE AND CONDUIT OPENING MAY BE LOCATED IN STEPS OF 90 DEGREES REGARDLESS OF LOCATION. STANDARD AS SHOWN WITH CONDUIT OPENING DOWN.
5. FRAME REFERENCE: 10.531/213 AND 12.031/215

TOLERANCES	
FACE RUNOUT	.004 T.I.R.
PERMISSIBLE ECCENTRICITY OF MOUNTING RABBET	.004 T.I.R.
PERMISSIBLE SHAFT RUNOUT	.002 T.I.R.

07-2012/E

**Nidec Motor Corporation**  
**St. Louis, Missouri**

INFORMATION DISCLOSED ON THIS DOCUMENT IS CONSIDERED PROPRIETARY AND SHALL NOT BE REPRODUCED OR DISCLOSED WITHOUT WRITTEN CONSENT OF NIDEC MOTOR CORPORATION



ISSUED BY  
**D. CORTES**  
 APPROVED BY  
**M. RAMIREZ**

IHP\_DP\_NMCA (MAR-2011) SOLIDEDGE