

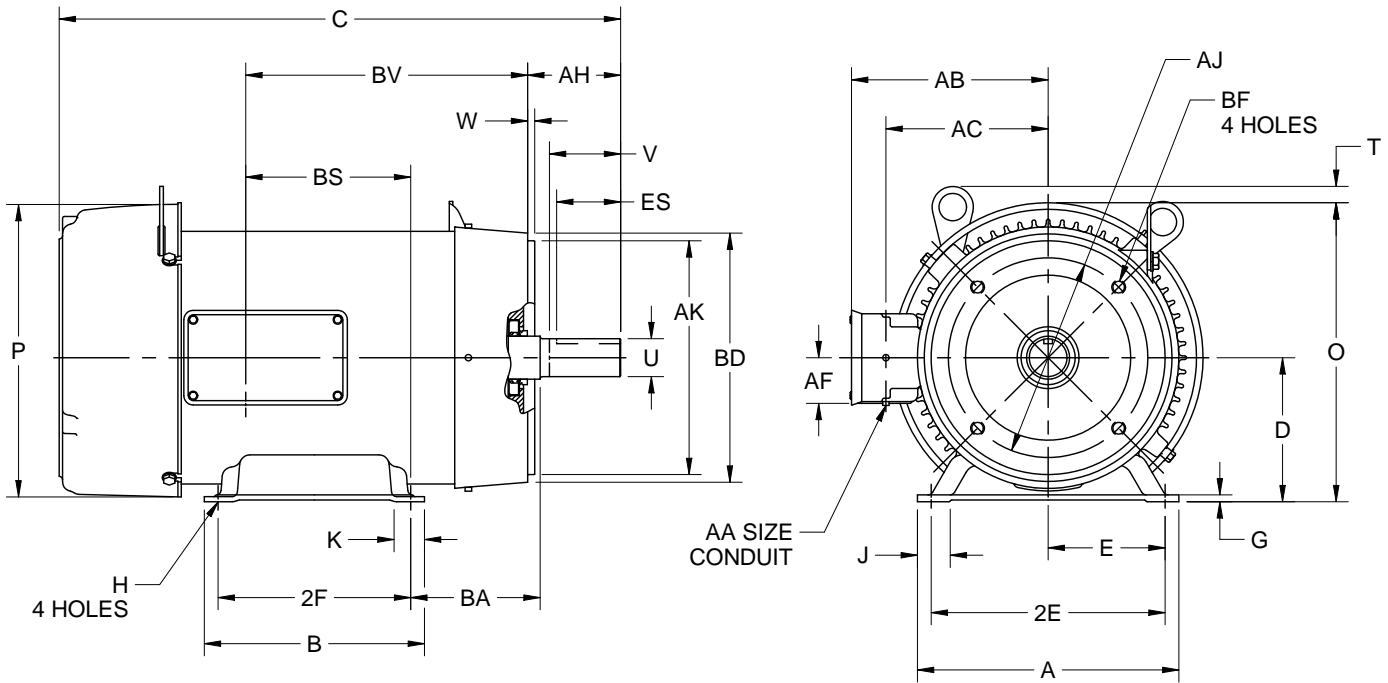
EFFECTIVE:
25-NOV-16

SUPERSEDES:
12-APR-11

DIMENSION PRINT
TEFC-WASHDOWN DUTY
FRAME: 180, 210TC
BASIC TYPE: FWER, WE

PRINT:
07-2015

SHEET:
1 OF 1



ALL DIMENSIONS ARE IN INCHES AND MILLIMETERS

FRAME	UNITS	A	D -.06	E	2E ±.03	G	H +.05	J	K	O	P ²	T
182TC,184TC	IN	8.75	4.50	3.75	7.50	.19	.44	1.13	2.00	9.28	9.56	-
	MM	222	114	95	191	5	11	29	51	236	243	-
213TC,215TC	IN	9.50	5.25	4.25	8.50	.19	.44	1.06	1.06	10.88	11.25	.59
	MM	241	133	108	216	5	11	27	27	276	286	15

FRAME	UNITS	U -.0005	V MIN	AA	AB	AC	AF	AH	AJ	AK -.003	BA	BB
182TC,184TC	IN	1.1250	2.59	.75	6.50	5.16	1.59	2.63	7.25	8.500	3.50	.25
	MM	28.575	66	19	165	131	40	67	184	215.90	89	6
213TC,215TC	IN	1.3750	3.25	1.00	7.22	5.88	1.59	3.13	7.25	8.500	4.25	.25
	MM	34.925	83	25	183	149	40	80	184	215.90	108	6

FRAME	UNITS	BD	BF ⁷	ES MIN	SQ KEY
182TC,184TC	IN	8.94	1/2-13 X .75	1.81	.25
	MM	227		46	6
213TC,215TC	IN	9.00	1/2-13 X .75	2.44	.31
	MM	229		62	8

TOLERANCES	
FACE RUNOUT	.004 T.I.R.
PERMISSIBLE ECCENTRICITY OF MOUNTING RABBET	.004 T.I.R.
PERMISSIBLE SHAFT RUNOUT	.002 T.I.R.

FRAME	UNITS	B	C	2F ±.03	BS	BV
182TC	IN	6.50	16.75	4.50	5.34	8.72
	MM	165	425	114	136	221
184TC	IN	6.50	16.75	5.50	5.34	8.72
	MM	165	425	140	136	221
213TC	IN	6.50	19.41	5.50	5.81	10.31
	MM	165	493	140	148	262
215TC	IN	8.00	20.41	7.00	6.81	10.25
	MM	203	518	178	173	267

1. ALL ROUGH DIMENSIONS MAY VARY BY .25" DUE TO CASTING AND/OR FABRICATION VARIATIONS.
2. LARGEST MOTOR WIDTH.
3. FRAME REFERENCE: 8.250"/182/184/9.250"/213//10.250"/215
4. CONDUIT BOX MAY BE LOCATED ON EITHER SIDE OF MOTOR. CONDUIT OPENINGS MAY BE LOCATED IN STEPS OF 90 DEGREES REGARDLESS OF LOCATION. STANDARD AS SHOWN WITH CONDUIT OPENING DOWN.
5. TOLERANCES SHOWN ARE IN INCHES ONLY.
6. ALL TAPPED HOLES ARE UNIFIED NATIONAL COARSE, RIGHT HAND THREAD.
7. TAP SIZE AND BOLT PENETRATION ALLOWANCE.

07-2015/B

Nidec Motor Corporation
St. Louis, Missouri

INFORMATION DISCLOSED ON THIS DOCUMENT IS CONSIDERED PROPRIETARY AND SHALL NOT BE REPRODUCED OR DISCLOSED WITHOUT WRITTEN CONSENT OF NIDEC MOTOR CORPORATION



ISSUED BY
P. ORTEGA
APPROVED BY
G. MARTINEZ

IHP_DP_NMCA (MAR-2011) SOLIDEDGE