

EFFECTIVE:
25-MAR-11

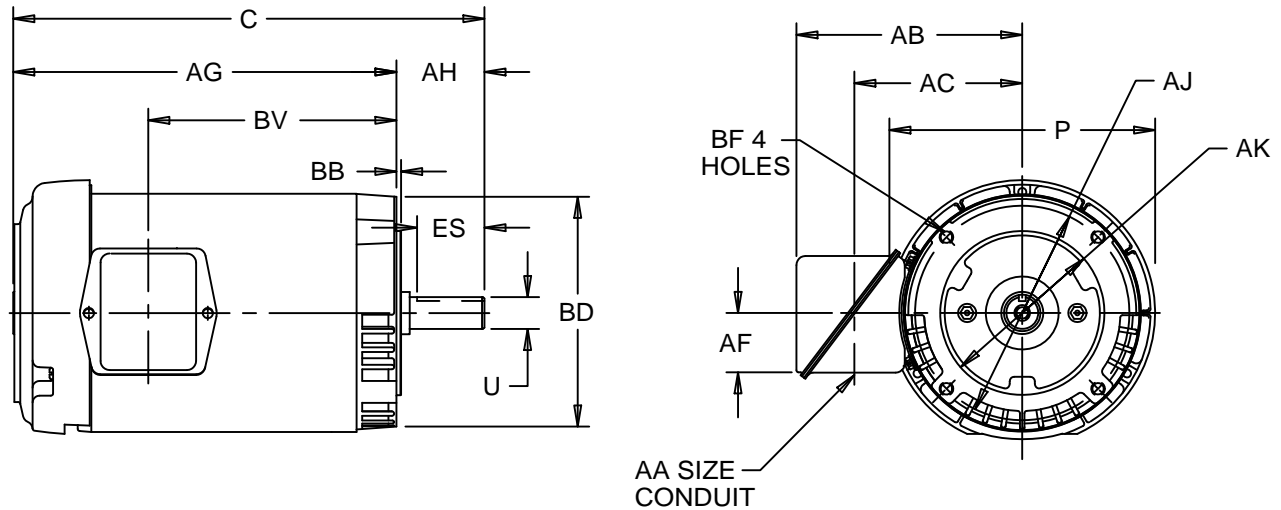
HORIZONTAL MOTORS

PRINT:
07-2019

SUPERSEDES:
18-APR-05

TEFC
FRAME: 143, 145TC
BASIC TYPE: UTF

SHEET:
1 OF 1



ALL DIMENSIONS ARE IN INCHES AND MILLIMETERS

UNITS	C	P 2	U -.0005	AA	AB	AC	AF	AG	AH
IN	12.13	7.25	.8750	.75	6.09	4.50	1.59	10.00	2.13
MM	308	184	22.225		155	114	40	254	54

UNITS	AJ	AK -.003	BB	BD MAX	BV	BF 3	ES MIN	SQ KEY
IN	5.875	4.500	.16	6.50	6.13	3/8-16 X .75	1.41	.188
MM	149.23	114.30	4	165	156		36	4.78

- 1: ALL ROUGH DIMENSIONS MAY VARY BY .25" DUE TO CASTING AND/OR FABRICATION VARIATIONS.
- 2: LARGEST MOTOR WIDTH.
- 3: TAP SIZE AND BOLT PENETRATION ALLOWANCE.
- 4: ALL TAPPED HOLES ARE UNIFIED NATIONAL COARSE, RIGHT HAND THREAD.

- 5: CONDUIT BOX MAY BE LOCATED ON EITHER SIDE OF MOTOR. CONDUIT OPENINGS MAY BE LOCATED IN STEPS OF 180 DEGREES REGARDLESS OF LOCATION. STANDARD AS SHOWN WITH CONDUIT OPENING DOWN.
- 6: TOLERANCES SHOWN ARE IN INCHES ONLY.
- 7: FRAME REFERENCE: 6.750/143/145

07-2019/D

Nidec Motor Corporation
St. Louis, Missouri

INFORMATION DISCLOSED ON THIS DOCUMENT IS CONSIDERED PROPRIETARY AND SHALL NOT BE REPRODUCED OR DISCLOSED WITHOUT WRITTEN CONSENT OF NIDEC MOTOR CORPORATION



ISSUED BY
L. CUESTA
APPROVED BY
J. RANGEL

IHP_DP_NMCA (MAR-2011) SOLIDEDGE