

EFFECTIVE:
11-MAR-11

HORIZONTAL MOTORS

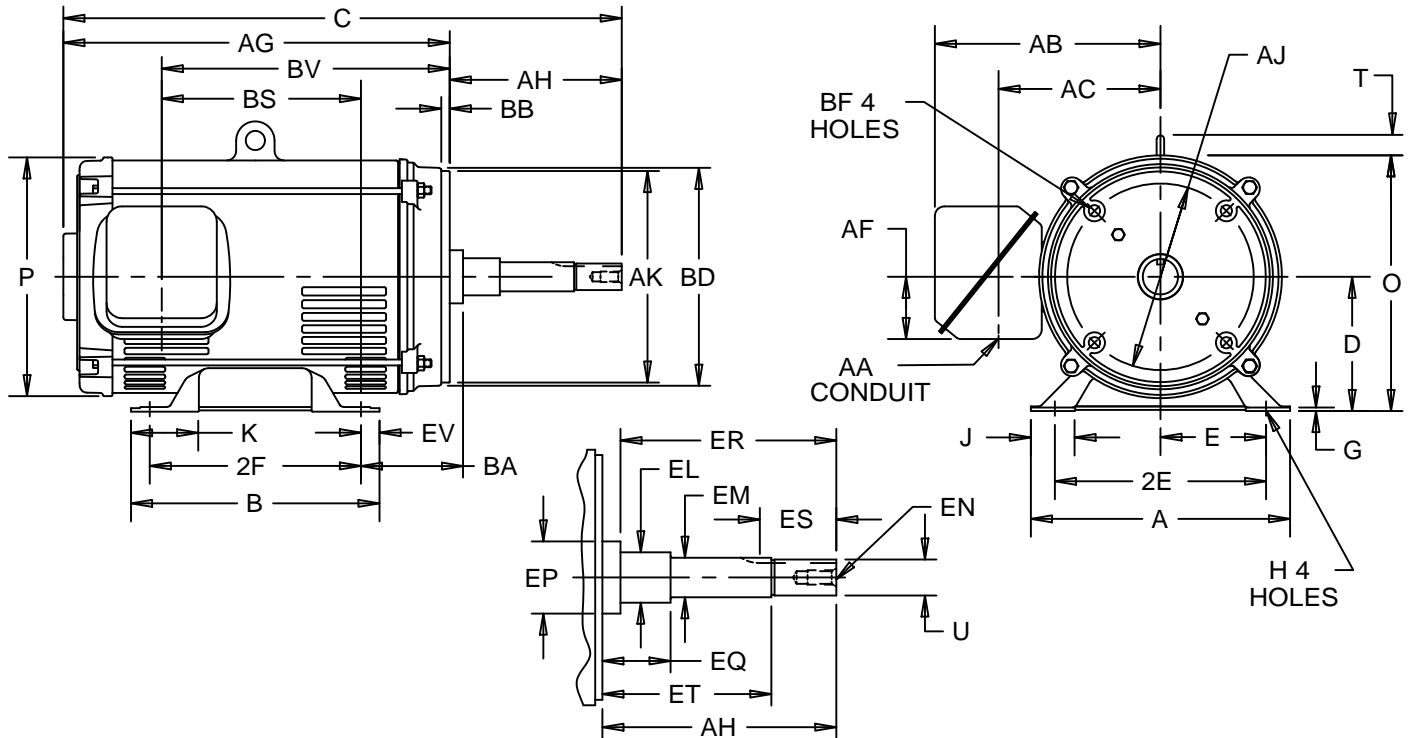
ODP-CLOSED COUPLED PUMP-WORLD MOTOR

PRINT:
07-2020

SUPERSEDES:
30-DEC-97

FRAME: 280-320JM
BASIC TYPE: FD-4

SHEET:
1 OF 1



ALL DIMENSIONS ARE IN INCHES

BASIC FRAME	A	D -.06	E	2E ±.03	G	H +.05	J	K	O	P ²	T	U -.0005	AA
280	13.50	7.00	5.50	11.00	.19	.53	2.31	3.53	13.19	12.44	2.22	1.2495	2.00
320	15.00	8.00	6.25	12.50	.25	.66	2.31	3.53	15.13	14.19	2.38	1.2495	2.00

BASIC FRAME	AB	AC	AF	AH ±.031	AJ	AK -.005	BA	BB ±.031	BD MAX	BF ³	EL -.002
280	11.75	8.44	3.25	5.250	11.00	12.500	4.75	.281	14.00	5/8-11 X .94	1.750
320	12.81	9.31	3.25	5.250	11.00	12.500	5.25	.281	14.00	5/8-11 X .94	1.750

BASIC FRAME	EM -.0005	EN ³	EP MIN	EQ ±.03	ER MIN	ES MIN	ET ±.003	EV	SQ KEY
280	1.3750	1/2-13 X 1.00	2.13	.625	5.25	2.53	3.000	.97	.25
320	1.3750	1/2-13 X 1.00	2.13	.625	5.25	2.53	3.000	1.00	.25

FRAME	B	C	2F ±.03	AG	BS	BV
284	12.94	25.75	9.50	20.50	10.38	15.38
286	12.94	25.75	11.00	20.50	10.38	15.38
324	13.94	27.50	10.50	22.25	11.50	17.00
326	13.94	27.50	12.00	22.25	11.50	17.00

- 1: ALL ROUGH CASTING DIMENSIONS MAY VARY BY .25" DUE TO AND/OR FABRICATION VARIATIONS.
- 2: LARGEST MOTOR WIDTH.
- 3: TAP SIZE AND BOLT PENETRATION ALLOWANCE.
- 4: CONDUIT BOX MAY BE LOCATED ON EITHER SIDE AND CONDUIT OPENING MAY BE LOCATED IN STEPS OF 90 DEGREES REGARDLESS OF LOCATION. STANDARD AS SHOWN WITH CONDUIT OPENING DOWN.

TOLERANCES	
FACE RUNOUT	.006 T.I.R.
PERMISSIBLE ECCENTRICITY OF MOUNTING RABBET	.006 T.I.R.
PERMISSIBLE SHAFT RUNOUT	.003 T.I.R.

07-2020/A

Nidec Motor Corporation
St. Louis, Missouri

INFORMATION DISCLOSED ON THIS DOCUMENT IS CONSIDERED PROPRIETARY AND SHALL NOT BE REPRODUCED OR DISCLOSED WITHOUT WRITTEN CONSENT OF NIDEC MOTOR CORPORATION



ISSUED BY
L. CUESTA
APPROVED BY
E. LIZANA

IHP_DP_NMCA (MAR-2011) SOLIDEDGE