

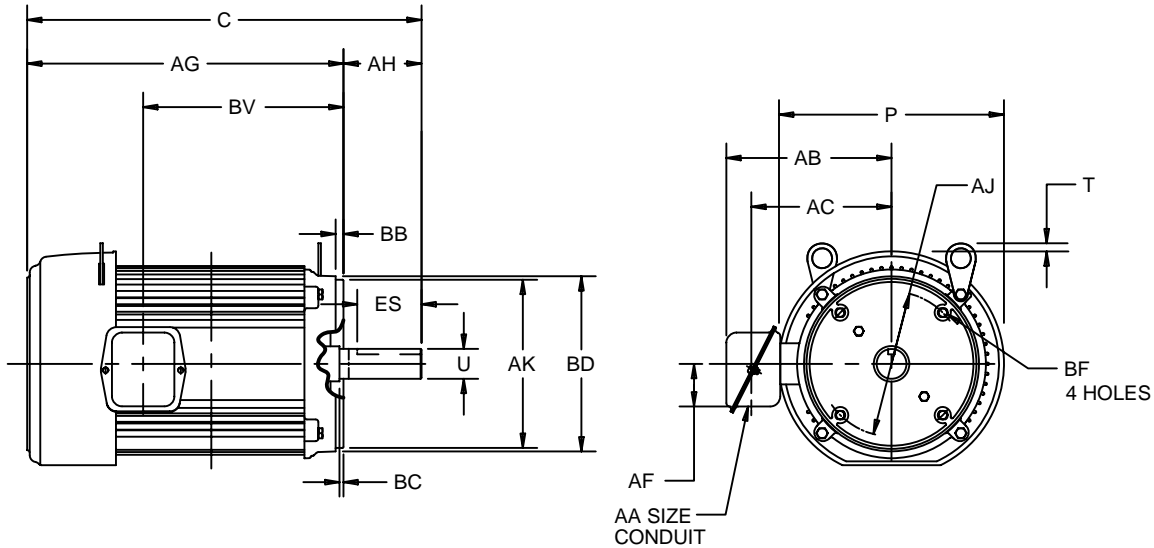
EFFECTIVE:
14-FEB-13

SUPERSEDES:
25-APR-11

HORIZONTAL MOTORS
TEFC-FOOTLESS W/C-FACE
FRAME: 254TC THRU A286TC
BASIC TYPE: UTF

PRINT:
07-2031

SHEET:
1 OF 1



ALL DIMENSIONS ARE IN INCHES AND MILLIMETERS

FRAME	UNITS	P ²	T	U -.001	AA	AB	AC	AF	AH	BC	ES MIN	SQ KEY
250	IN	13.38	0	1.625	1.25	9.94	7.69	1.81	3.75	.25	2.91	.375
	MM	340	0	41.28		252	195	46	95	6	74	9.56
A280	IN	13.38	0	1.875	1.50	10.81	8.25	2.13	4.38	.25	3.28	.500
	MM	340	0	47.63		275	210	54	111	6	83	12.70

FRAME	UNITS	C	AG	AJ	AK -.003	BB MIN	BD MAX	BF ³	BV
254TC	IN	23.93	20.18	7.250	8.500	.25	10.00	1/2-13 x .75	11.91
	MM	608	513	184.15	215.90	6	254		303
256TC	IN	25.68	21.94	7.250	8.500	.25	10.00	1/2-13 x .75	13.65
	MM	652	557	184.15	215.90	6	254		347
A284TC, A286TC	IN	28.25	23.88	9.000	10.500	.25	11.25	1/2-13 x .75	10.72
	MM	718	607	228.60	266.70	6	286		272

- 1: ALL ROUGH CASTING DIMENSIONS MAY VARY BY .25" DUE TO CASTING AND/OR FABRICATION VARIATIONS.
- 2: LARGEST MOTOR WIDTH.
- 3: TAP SIZE AND BOLT PENETRATION ALLOWANCE.
- 4: ALL TAPPED HOLES ARE UNIFIED NATIONAL COARSE, RIGHT HAND THREAD.

- 5: CONDUIT BOX MAY BE LOCATED ON EITHER SIDE. CONDUIT OPENINGS MAY BE LOCATED IN STEPS OF 90 DEGREES REGARDLESS OF LOCATION. STANDARD AS SHOWN WITH CONDUIT OPENING DOWN.

TOLERANCES	8.500 AK	10.500 AK
FACE RUNOUT	.004 T.I.R.	.004 T.I.R.
PERMISSIBLE ECCENTRICITY OF MOUNTING RABBET	.004 T.I.R.	.004 T.I.R.
PERMISSIBLE SHAFT RUNOUT	.002 T.I.R.	.003 T.I.R.

07-2031/B

Nidec Motor Corporation
St. Louis, Missouri

INFORMATION DISCLOSED ON THIS DOCUMENT IS CONSIDERED PROPRIETARY AND SHALL NOT BE REPRODUCED OR DISCLOSED WITHOUT WRITTEN CONSENT OF NIDEC MOTOR CORPORATION



ISSUED BY
R. KING
APPROVED BY
J. O'BRIEN

IHP_DP_NMCA (MAR-2011) SOLIDEDGE