

EFFECTIVE:  
07-APR-11

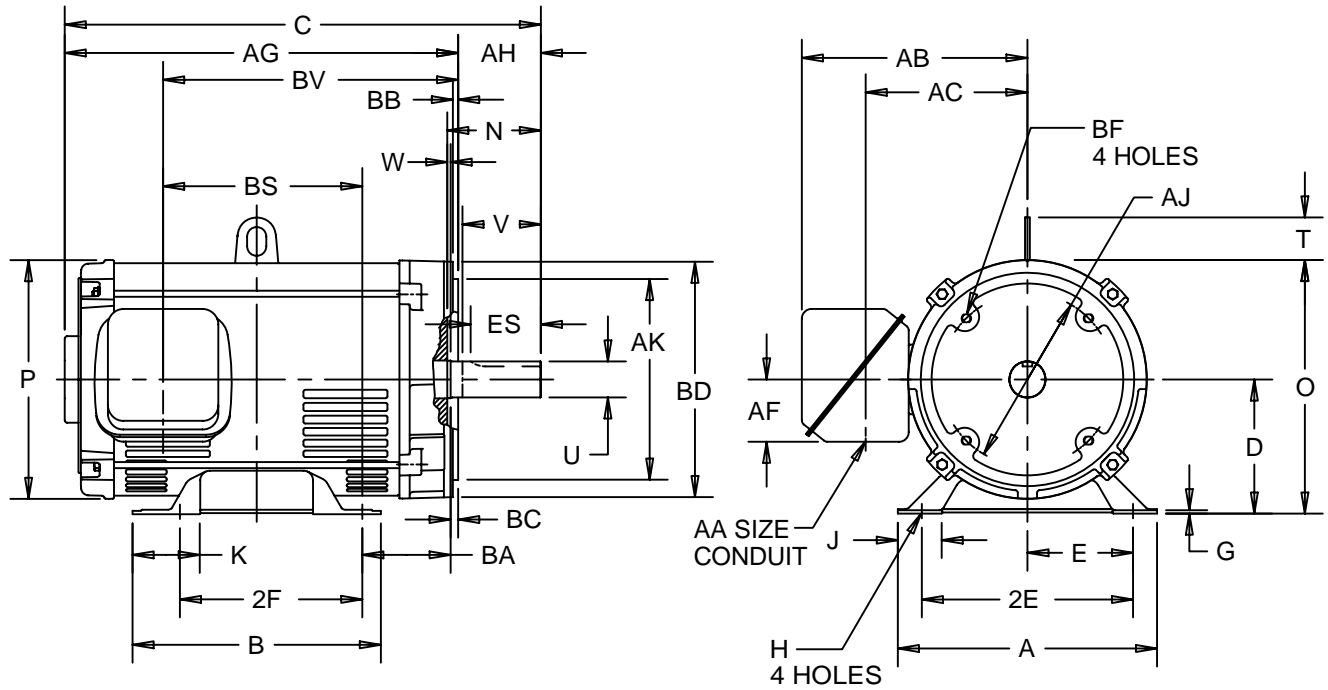
# HORIZONTAL MOTORS

ODP - W/C FACE  
FRAME: 284TC THRU 326TSC  
BASIC TYPE: FD

PRINT:  
07-2036

SUPERSEDES:  
18-MAY-01

SHEET:  
1 OF 1



ALL DIMENSIONS ARE IN INCHES

BASIC FRAME	A	B	D -.06	E	2E ±.03	G	H +.05	J	K	O	AJ	AK	AG
280	13.50	12.94	7.00	5.50	11.00	.19	.53	2.31	3.53	13.19	9.000	10.500	8.44
320	15.00	13.94	8.00	6.25	12.50	.25	.69	2.31	3.53	15.16	11.000	12.500	9.31

BASIC FRAME	P <sup>2</sup>	T	W	AA	AB	AC	AF	BA	BB MIN	BC	BD MAX	BF
280	12.44	2.22	.25	2.00	11.75	8.44	3.25	4.75	.25	.25	11.25	1/2-13 X .75
320	14.19	2.38	.50	2.00	12.63	9.31	3.25	5.25	.25	.25	14.00	5/8-11 X .94

FRAME	C	BS	BV	2F ±.03	N	U -.001	V MIN	ES MIN	SQ KEY	AH
284TC	24.88	7.50	12.50	9.50	4.88	1.875	4.38	3.63	.500	4.38
284TSC	23.50	9.00	14.00	9.50	3.50	1.625	3.00	2.09	.375	3.00
286TC	24.88	11.50	17.00	11.00	4.88	1.875	4.38	3.63	.500	4.38
286TSC	23.50	11.50	17.00	11.00	3.50	1.625	3.00	2.09	.375	3.00
324TC	27.25	11.50	17.00	10.50	5.75	2.125	4.97	3.91	.500	5.00
324TSC	25.75	11.50	17.00	10.50	4.25	1.875	3.50	2.03	.500	3.50
326TC	27.25	11.50	17.00	12.00	5.75	2.125	4.97	3.91	.500	5.00
326TSC	25.75	11.50	17.00	12.00	4.25	1.875	3.50	2.03	.500	3.50

TOLERANCE "AK" DIMENSION: 10.500 -.003; +.000  
12.500 -.005; +.000

1: ALL ROUGH CASTING DIMENSIONS MAY VARY BY .25" DUE TO CASTING AND/OR FABRICATION VARIATIONS.  
2: LARGEST MOTOR WIDTH.

3: CONDUIT BOX MAY BE LOCATED ON EITHER SIDE OF MOTOR. CONDUIT OPENINGS MAY BE LOCATED IN STEPS OF 90 DEGREES REGARDLESS OF LOCATION. STANDARD AS SHOWN WITH CONDUIT OPENING DOWN.

07-2036/A

**Nidec Motor Corporation**  
St. Louis, Missouri

INFORMATION DISCLOSED ON THIS DOCUMENT IS CONSIDERED PROPRIETARY AND SHALL NOT BE REPRODUCED OR DISCLOSED WITHOUT WRITTEN CONSENT OF NIDEC MOTOR CORPORATION



ISSUED BY  
**R. KING**  
APPROVED BY  
**K. POTTER**

IHP\_DP\_NMCA (MAR-2011) SOLIDEDGE