

EFFECTIVE:
13-MAY-14

DIMENSION PRINT

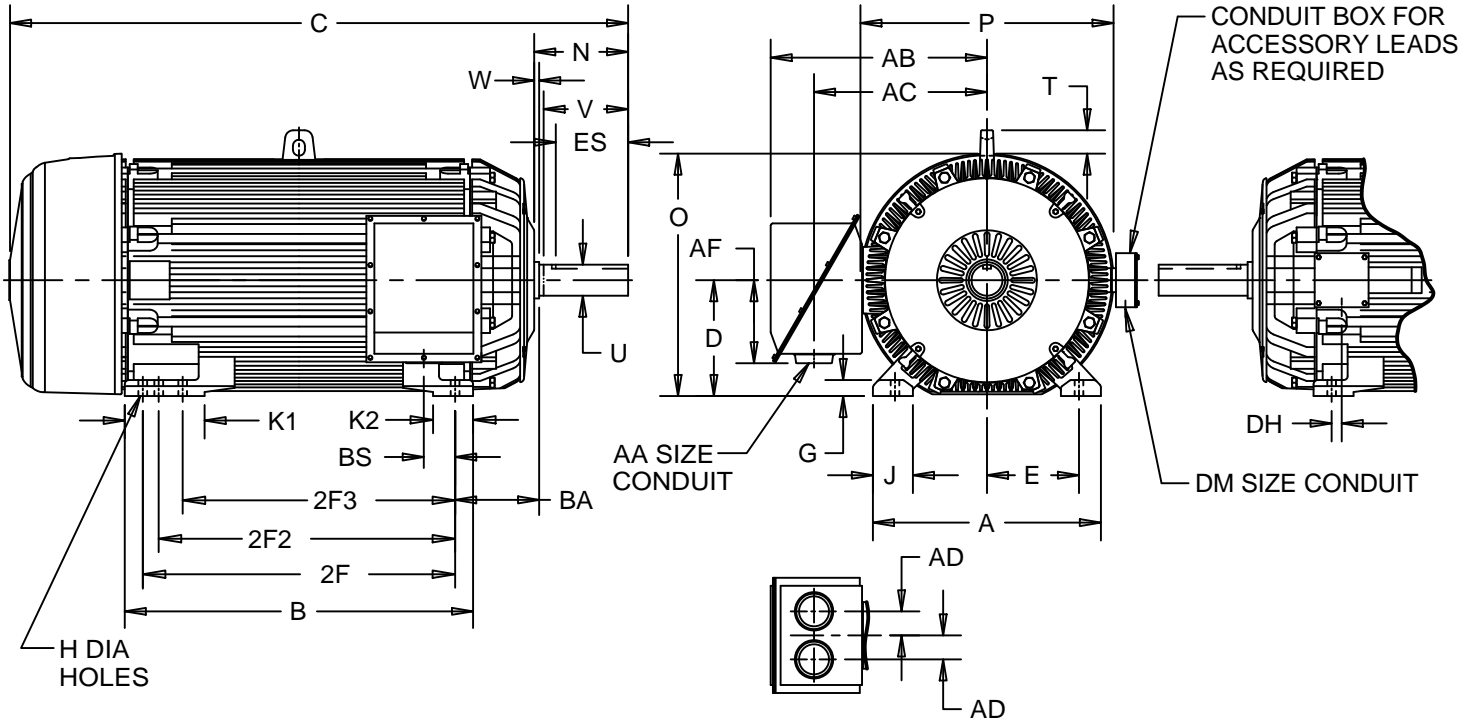
TEFC/EXPLOSION PROOF

PRINT:
07-2043

SUPERSEDES:
02-MAR-11

FRAME: 5800
BASIC TYPE: E, J

SHEET:
1 OF 1



ALL DIMENSIONS ARE IN INCHES

A	D -.06	E	G	H ⁵ +.05	J	K1	K2	O	P	T	W	BA	BS
28.50	14.50	11.50	2.00	1.09	5.00	10.00	5.00	30.06	31.13	3.19	.13	10.00	3.91

FRAME	B	2F ±.03	2F2 ±.03	2F3 ±.03
5807	29.50	25.00	22.00	20.00
5809	36.50	32.00	28.00	N/A
5811	44.50	40.00	36.00	N/A

FRAME	HP	TYPE	VOLTS	QTY. OF CONDUIT	AB	AC	AD	AF	DH
5800	THRU 500	J	460	1	26.13	20.63	-	8.06	3.91
	ALL		2300						
	OVER 500		460	2	32.38	23.75	3.00	10.94	
	ALL		4000	1	27.13	21.63	-	10.00	
5800	THRU 500	E	460	1	26.13	19.44	-	5.63	3.91
	ALL		2300						
	OVER 500		460	2	32.00	21.63	3.00	8.63	
	ALL		4000						

FRAME	NO. OF POLES	C	N	U -.001	V MIN	ES MIN	SQ. KEY	AA	DM
5807SS	2	57.50	5.88	2.875	5.50	4.13	.750	2 1/2 NPT	3/4 NPT
5809SS		64.50	5.88	2.875	5.50	4.13	.750	3 NPT	1 NPT
5811SS		72.50	5.88	2.875	5.50	4.13	.750	3 1/2 NPT	1 1/4 NPT
5807S	4 AND MORE	58.50	6.88	3.375	6.50	5.25	.875	4 NPT	1 1/2 NPT
5809S		65.50	6.88	3.375	6.50	5.25	.875		
5811S		73.50	6.88	3.375	6.50	5.25	.875		
5807ML		63.38	11.75	3.875	11.25	10.00	1.000		
5809ML		70.38	11.75	3.875	11.25	10.00	1.000		
5811ML		78.38	11.75	3.875	11.25	10.00	1.000		

1. ALL ROUGH DIMENSIONS MAY VARY BY .25" DUE TO CASTING AND/OR FABRICATION VARIATIONS.
2. A MINIMUM CLEARANCE OF .25" BETWEEN FACE OF MOTOR AND COUPLING GUARD IS REQUIRED TO PERMIT AIR FLOW.
3. STANDARD ASSEMBLY POSITION F-1 IS SHOWN. F-2 IS PROVIDED WHEN SPECIFIED. CONDUIT OPENINGS MAY BE LOCATED IN STEPS OF 90 DEGREES REGARDLESS OF LOCATION. STANDARD AS SHOWN WITH CONDUIT OPENING DOWN.
4. "SS" SHAFT EXTENSION IS AVAILABLE ONLY ON 2-POLE RATINGS. "S" AND "ML" SHAFT EXTENSIONS ARE NOT AVAILABLE ON 2-POLE RATINGS.
5. QTY-8 HOLES ON 5807 AND QTY-6 ON ALL OTHERS.

07-2043/A

Nidec Motor Corporation
St. Louis, Missouri

INFORMATION DISCLOSED ON THIS DOCUMENT
IS CONSIDERED PROPRIETARY AND SHALL NOT BE
REPRODUCED OR DISCLOSED WITHOUT WRITTEN
CONSENT OF NIDEC MOTOR CORPORATION



R. KING
APPROVED BY
R. SCHMIDT

IHP_DP_NMCA (MAR-2011) SOLIDEDGE