

EFFECTIVE:
13-APR-11

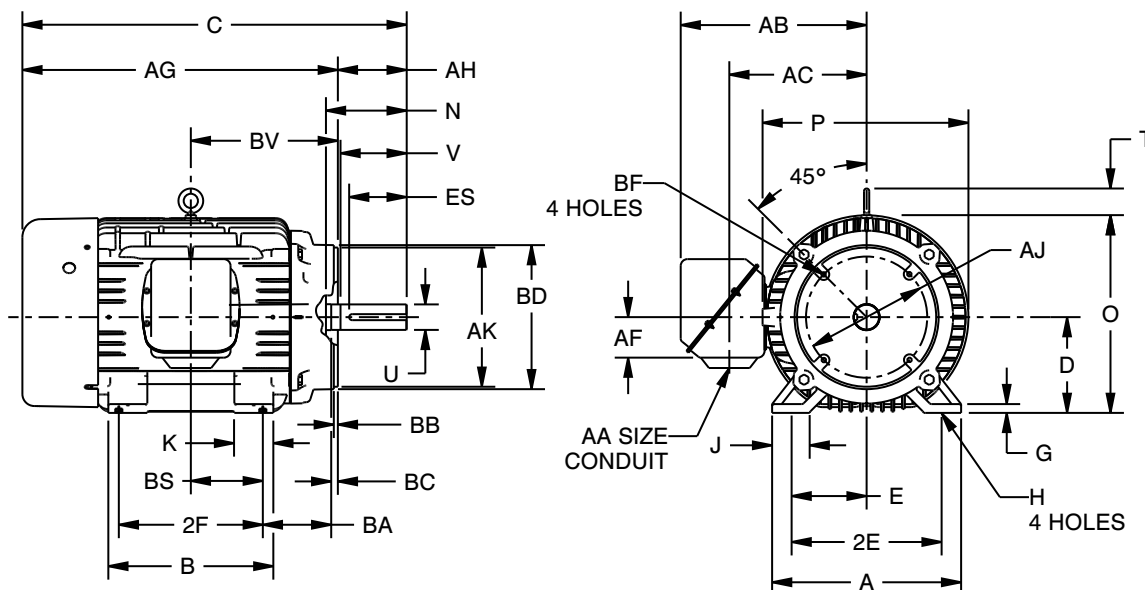
HORIZONTAL MOTORS

PRINT:
07-2053

SUPERSEDES:
31-MAR-99

FRAME: 320UC
BASIC TYPE: JAD, JDE

SHEET:
1 OF 1



ALL DIMENSIONS ARE IN INCHES AND MILLIMETERS

	A	B	C	D -.06	E	2E ±.03	G	H +.05
IN	15.75	13.75	30.94	8.00	6.25	12.50	.75	.66
MM	400	349	786	203	159	318	19	17
	J	K	N	O	P ²	T	U -.001	SQ. KEY
IN	3.19	3.25	6.12	16.25	16.88	2.50	1.875	.500
MM	81	83	155	413	429	64	47.63	12.70
	V MIN	AA	AB	AC	AF	AG	AH	AJ
IN	5.00	2-1/2 NPT	15.50	11.38	4.19	25.56	5.38	11.000
MM	127		394	289	106	649	137	279.40
	AK -.005	BA ±.09	BB	BC	BD	BF ⁵	BS	BV
IN	12.500	5.25	.28	.25	12.78	5/8-11 X .94	6.00	11.56
MM	317.50	133	7	6	325		152	294
	ES MIN							
IN	3.91							
MM	99							

	FRAME	2F ±.03
IN	324UC	10.50
MM		267
IN	326UC	12.00
MM		305

TOLERANCES	IN	MM
FACE RUNOUT	.007 T.I.R.	.18 T.I.R.
PERMISSIBLE ECCENTRICITY OF MOUNTING RABBET	.007 T.I.R.	.18 T.I.R.
PERMISSIBLE SHAFT RUNOUT	.003 T.I.R.	.05 T.I.R.

1: ALL ROUGH CASTING DIMENSIONS MAY VARY .25" DUE TO CASTING VARIATIONS.
2: LARGEST MOTOR WIDTH
3: TOLERANCES ARE SHOWN IN INCHES.

4: CONDUIT BOX MAY BE LOCATED ON EITHER SIDE OF MOTOR. CONDUIT OPENINGS MAY BE LOCATED IN STEPS OF 90 DEGREES REGARDLESS OF LOCATION. STANDARD AS SHOWN WITH CONDUIT OPENING DOWN.
5: THREAD SIZE AND BOLT PENETRATION ALLOWANCE.

07-2053/B

Nidec Motor Corporation
St. Louis, Missouri

INFORMATION DISCLOSED ON THIS DOCUMENT IS CONSIDERED PROPRIETARY AND SHALL NOT BE REPRODUCED OR DISCLOSED WITHOUT WRITTEN CONSENT OF NIDEC MOTOR CORPORATION



ISSUED BY
P. INGALE
APPROVED BY
R. KING

IHP_DP_NMCA (MAR-2011) PROENGINEER