

EFFECTIVE:
3-MAR-11

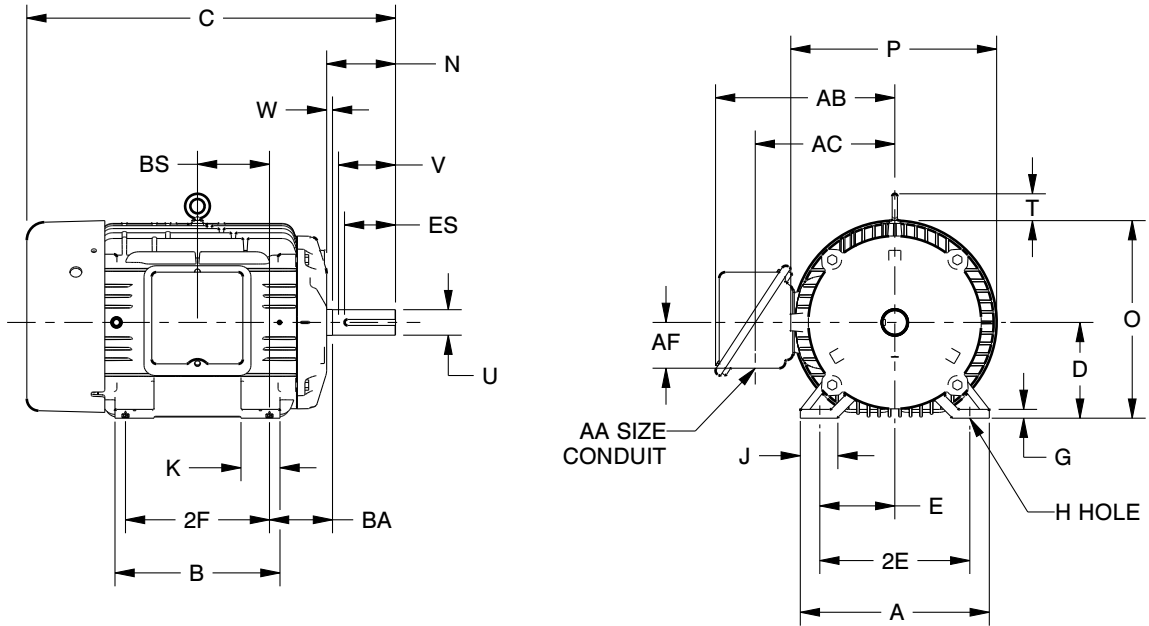
HORIZONTAL MOTORS

PRINT:
07-2059

SUPERSEDES:
23-MAR-99

FRAME: 320TS
BASIC TYPE: TCE, TC, FTC, CE

SHEET:
1 OF 1



UNITS	A	B	C	D	E	2E	G	H
IN	15.75	13.75	29.25	8.00	6.25	12.50	0.75	0.66
MM	400	349	743	203	159	318	19	17
UNITS	J	K	N	N-W	O	P ²	SQ. KEY	T
IN	3.19	3.25	4.25	3.75	16.50	17.19	0.500	2.25
MM	81	83	108	95	419	437	12.70	57
UNITS	U	V	W	AA	AB	AC	AF	BA
IN	1.875	3.50	0.50	2 NPT	15.00	11.69	3.81	5.25
MM	47.63	89	13		381	297	97	133
UNITS	BS	ES						
IN	6.00	2.03						
MM	152	52						

UNITS	FRAME	2F
IN	324TS	10.50
MM		267
IN	326TS	12.00
MM		305

1: ALL ROUGH CASTING DIMENSIONS MAY VARY .25" DUE TO CASTING VARIATIONS.
2: LARGEST MOTOR WIDTH
3: TOLERANCES ARE SHOWN IN INCHES.

4: CONDUIT BOX MAY BE LOCATED ON EITHER SIDE OF MOTOR. CONDUIT OPENINGS MAY BE LOCATED IN STEPS OF 90 DEGREES REGARDLESS OF LOCATION. STANDARD AS SHOWN WITH CONDUIT OPENING DOWN.

07-2059/A

Nidec Motor Corporation
St. Louis, Missouri

INFORMATION DISCLOSED ON THIS DOCUMENT IS CONSIDERED PROPRIETARY AND SHALL NOT BE REPRODUCED OR DISCLOSED WITHOUT WRITTEN CONSENT OF NIDEC MOTOR CORPORATION



ISSUED BY
P. INGALE
APPROVED BY
L. MORALES

IHP_DP_NMCA (MAR-2011) PROENGINEER