

EFFECTIVE:
10-MAR-11

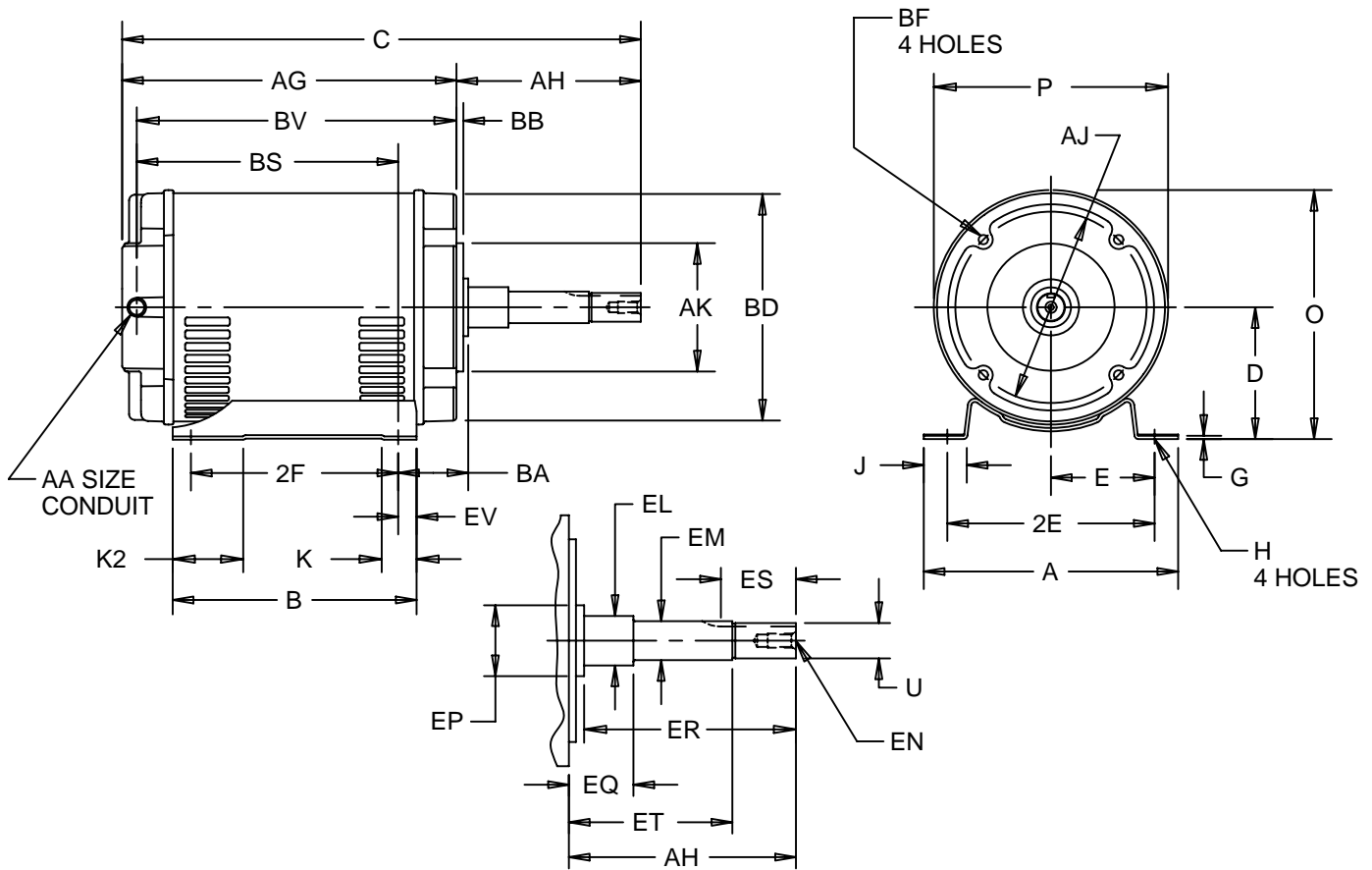
HORIZONTAL MOTORS

ODP - CLOSE COUPLED PUMP
FRAME: 143JM THRU 145JP
BASIC TYPE: D-1, D4

PRINT:
07-2065

SUPERSEDES:
20-JUL-05

SHEET:
1 OF 1



ALL DIMENSIONS ARE IN INCHES AND MILLIMETERS

UNITS	A	B	D -.06	E	2E ±.03	G	H +.05	J	K	K2	O	P ²
IN	6.50	6.00	3.50	2.75	5.50	.13	.34	.88	.88	1.88	6.75	6.50
MM	165	152	89	70	140	3	9	22	22	48	171	165

UNITS	U -.0005	AA	AG	AJ	AK -.003	BA ±.09	BB ±.031	BD MAX	BF ⁴
IN	.8745	1/2 NPT	10.50	5.875	4.500	2.75	.156	6.63	3/8-16 X .56
MM	22.212		267	149.23	114.30	70	3.96	168	

UNITS	BS	BV	EL -.002	EM -.0005	EN ⁴	EP MIN	ES MIN	EV	SQ KEY
IN	6.88	9.75	1.156	1.0000	3/8-16 X .75	1.16	1.65	.50	.188
MM	175	248	29.36	24.500		29	42	13	4.78

FRAME	UNITS	C	2F ±.03	AH ±.031	EQ ±.015	ER MIN	ET ±.015
143JM	IN	14.75	4.00	4.250	.625	4.25	2.875
	MM	375	102	107.95	15.88	108	73.03
145JM	IN	14.75	5.00	4.250	.625	4.25	2.875
	MM	375	127	107.95	15.88	108	73.03
143JP	IN	17.81	4.00	7.313	1.563	7.31	5.938
	MM	452	102	185.75	39.70	186	150.83
145JP	IN	17.81	5.00	7.313	1.563	7.31	5.938
	MM	452	127	185.75	39.70	186	150.83

- 1: ALL ROUGH DIMENSIONS MAY VARY BY .25" DUE TO CASTING AND/OR FABRICATION VARIATIONS.
- 2: LARGEST MOTOR WIDTH.
- 3: TAP SIZE AND BOLT PENETRATION ALLOWANCE.
- 4: ALL TAPPED HOLES ARE UNIFIED NATIONAL COARSE, RIGHT HAND THREAD.
- 5: TOLERANCES SHOWN ARE IN INCHES ONLY.
- 6: FRAME REFERENCE: 6.500/143/145

TOLERANCES	
FACE RUNOUT	.004 T.I.R.
PERMISSIBLE ECCENTRICITY OF MOUNTING RABBET	.004 T.I.R.
PERMISSIBLE SHAFT RUNOUT	.002 T.I.R.

07-2065/B

Nidec Motor Corporation
St. Louis, Missouri

INFORMATION DISCLOSED ON THIS DOCUMENT
IS CONSIDERED PROPRIETARY AND SHALL NOT BE
REPRODUCED OR DISCLOSED WITHOUT WRITTEN
CONSENT OF NIDEC MOTOR CORPORATION



ISSUED BY
R. KING
APPROVED BY
K. POTTER

IHP_DP_NMCA (MAR-2011) SOLIDEDGE