

EFFECTIVE:
03-AUG-11

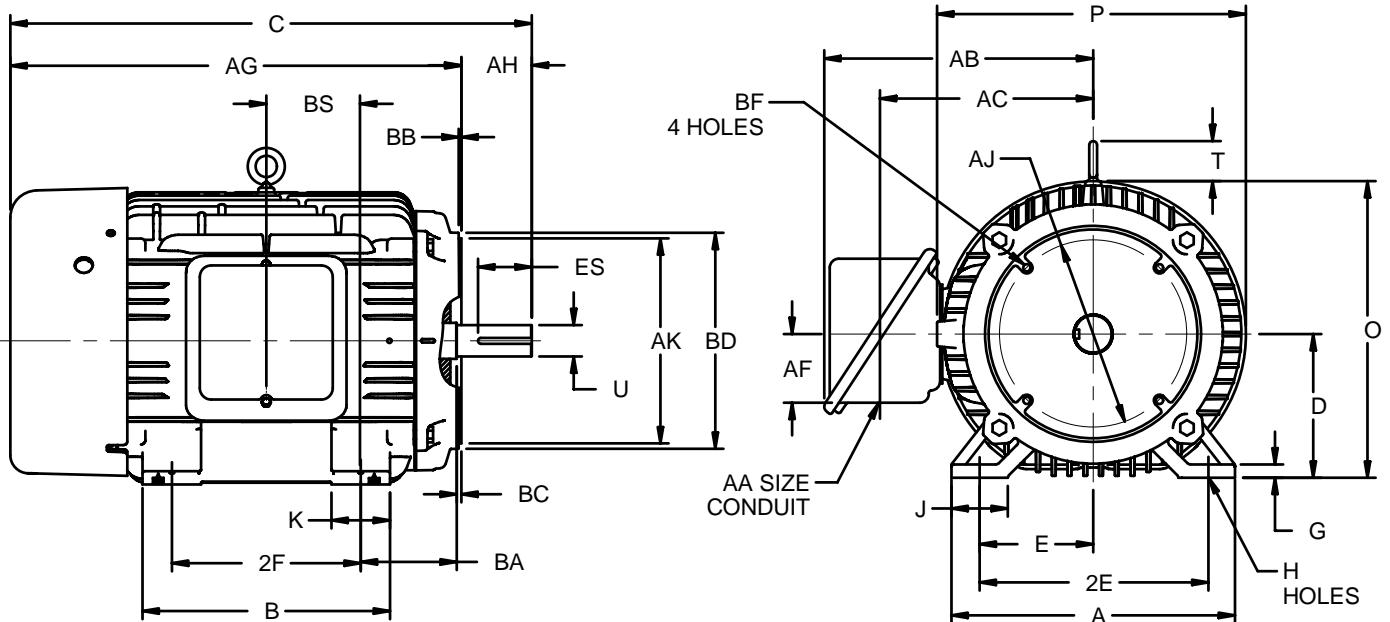
HORIZONTAL MOTORS

PRINT:
07-2086

SUPERSEDES:
20-APR-11

FRAME: 320TC
BASIC TYPE: TC, CE

SHEET:
1 OF 1



ALL DIMENSIONS ARE IN INCHES AND MILLIMETERS

	A	B	C	D	E	2E	G	H	J
IN	15.75	13.75	30.75	8.00	6.25	12.50	.75	.66	3.19
MM	400	349	781	203	159	318	.19	17	81

	K	N	O	p ²	T	U	V	AA	AB
IN	3.25	5.75	16.50	17.19	2.25	2.125	5.00	2 NPT	15.00
MM	83	146	419	437	57	53.98	127		381

	AC	AF	AG	AH	AJ	AK	BA	BB	BC
IN	11.69	3.81	25.75	5.00	11.000	12.500	5.25	.25	.25
MM	297	97	654	127	279.40	317.50	133	6	6

	BD	BF ⁴	BS	ES	SQ.
	MAX			MIN	KEY
IN	14.00	5/8-11 X .94	6.00	3.91	.500
MM	356		152	100	12.70

	FRAME	2F
		±.03
IN	324TC	10.50
MM		267
IN	326TC	12.00
MM		305

TOLERANCES	
FACE RUNOUT	.007 TIR
PERMISSIBLE ECCENTRICITY OF MOUNTING RABBET	.007 TIR
PERMISSIBLE SHAFT RUNOUT	.003 TIR

- ALL ROUGH DIMENSIONS MAY VARY BY .25" DUE TO CASTING AND/OR FABRICATION VARIATIONS.
- LARGEST MOTOR WIDTH
- CONDUIT BOX MAY BE LOCATED ON EITHER SIDE OF MOTOR. CONDUIT OPENINGS MAY BE LOCATED IN STEPS OF 90 DEGREES REGARDLESS OF LOCATION. STANDARD AS SHOWN WITH CONDUIT OPENING DOWN.
- TAP SIZE AND BOLT PENETRATION ALLOWANCE.
- ALL TAPPED HOLES ARE UNIFIED NATIONAL COARSE, RIGHT HAND THREAD.
- TOLERANCES SHOWN ARE IN INCHES ONLY.

Nidec Motor Corporation
St. Louis, Missouri

INFORMATION DISCLOSED ON THIS DOCUMENT IS CONSIDERED PROPRIETARY AND SHALL NOT BE REPRODUCED OR DISCLOSED WITHOUT WRITTEN CONSENT OF NIDEC MOTOR CORPORATION



ISSUED BY
R. TIMMERMANN
APPROVED BY
R. KING

IHP_DP_NMCA (MAR-2011) SOLIDEDGE