

EFFECTIVE:
30-MAR-12

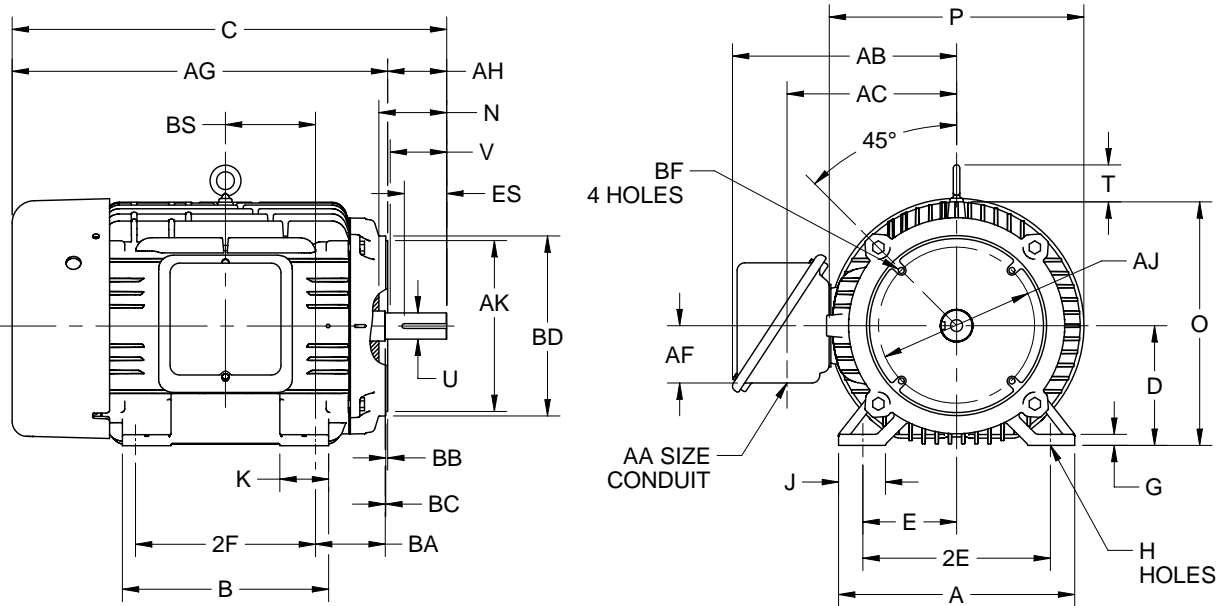
HORIZONTAL MOTORS

PRINT:
07-2087

SUPERSEDES:
23-MAR-99

FRAME: 320TSC
BASIC TYPE: TC, CE

SHEET:
1 OF 1



ALL DIMENSIONS ARE IN INCHES AND MILLIMETERS

	A	B	C	D -.06	E	2E ±.03	G	H +.05	J
IN	15.75	13.75	29.25	8.00	6.25	12.50	.75	.66	3.19
MM	400	349	743	203	159	318	19	17	81

	K	N	O	P ²	T	U -.001	V MIN	AA	AB
IN	3.25	4.25	16.25	16.88	2.50	1.875	3.50	2 NPT	15.00
MM	83	108	413	429	64	47.63	89		381

	AC	AF	AG	AH ±.030	AJ	AK -.005	BA ±.09	BB MIN	BC
IN	11.69	3.81	25.75	3.50	11.000	12.500	5.25	.25	.25
MM	297	97	654	89	279.40	317.50	133	6	6

	BD MAX	BF ⁵	BS	ES MIN	SQ. KEY
IN	14.00	5/8-11 UNC X .94	6.00	2.03	.500
MM	356		152	52	12.70

	FRAME	2F ±.03
IN	324TSC	10.50
MM		267
IN	326TSC	12.00
MM		305

TOLERANCES	
FACE RUNOUT	.007 T.I.R.
PERMISSIBLE ECCENTRICITY OF MOUNTING RABBET	.007 T.I.R.
PERMISSIBLE SHAFT RUNOUT	.003 T.I.R.

1. DIMENSIONS MAY VARY .25" DUE TO CASTING AND/OR FABRICATION VARIATIONS.
2. LARGEST MOTOR WIDTH
3. TOLERANCES SHOWN ARE IN INCHES ONLY.

4. CONDUIT BOX MAY BE LOCATED ON EITHER SIDE OF MOTOR. CONDUIT OPENINGS MAY BE LOCATED IN STEPS OF 90 DEGREES REGARDLESS OF LOCATION. STANDARD AS SHOWN WITH CONDUIT OPENING DOWN.
5. TAP SIZE AND BOLT PENETRATION ALLOWANCE.

07-2087/C

Nidec Motor Corporation
St. Louis, Missouri

INFORMATION DISCLOSED ON THIS DOCUMENT IS CONSIDERED PROPRIETARY AND SHALL NOT BE REPRODUCED OR DISCLOSED WITHOUT WRITTEN CONSENT OF NIDEC MOTOR CORPORATION



ISSUED BY
K. FRIEDMAN
APPROVED BY
J. HAGENE

IHP_DP_NMCA (MAR-2011) SOLIDEDGE