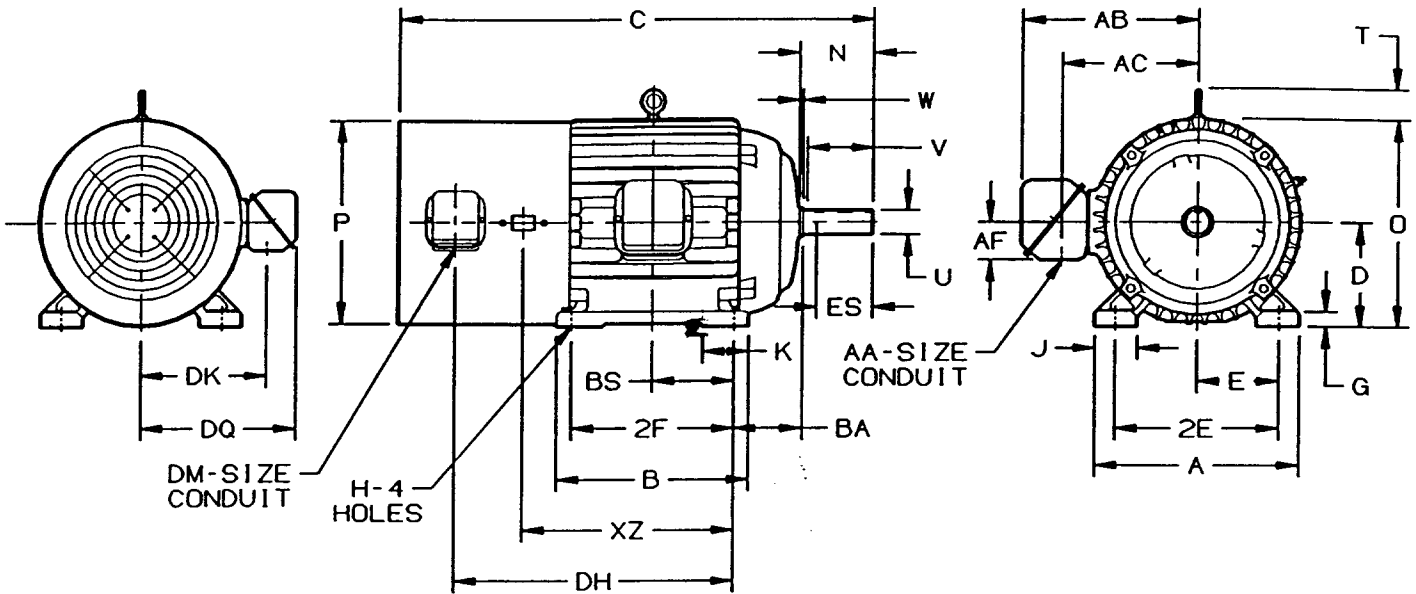


HORIZONTAL MOTORS

VECTOR CONTROL
 FRAME: 400T
 TYPE: CTBI, CTBX-CONVERSION

PRINT #: 07/2100
 EFFECTIVE: 24-FEB-99
 SUPERSEDES: NEW



ALL DIMENSIONS ARE IN INCHES AND MILLIMETERS

FRAME	UNITS	A	E	G	J	O	P ²	AA	AB	AC	AF	K
400T	IN	19.75	8.00	1.38	3.75	20.50	21.50	3.00 NPT	17.69	13.44	3.38	3.50
	MM	502	203	35	95	521	546	3.00 NPT	449	341	86	89

FRAME	UNITS	BA	U ⁴	ES	SQ	D ⁴	2E ⁴
400T	IN	6.62	-.001	5.65	.75	10.00	16.00
	MM	168	73.03	144	19	254.0	406.4

FRAME	UNITS	H ⁴	T	V	N	W	DK	DM	DQ
400T	IN	+.05	3.22	7.00	7.63	.38	11.47	.75 NPT	13.03
	MM	20.7	82	178	160	10	291	.75 NPT	331

FRAME	UNITS	B	C	BS	2F ⁴	DH	XZ
404T	IN	15.25	42.69	6.13	12.25	26.00	21.25
	MM	387	1084	156	311.2	660	540
405T	IN	16.75	44.19	6.88	13.75	27.50	22.75
	MM	425	1122	175	349.3	699	578

1: ALL ROUGH CASTING DIMENSIONS MAY VARY BY .25" DUE TO CASTING VARIATIONS.
 2: LARGEST MOTOR WIDTH.

3: CONDUIT BOX MAY BE LOCATED ON EITHER SIDE OF MOTOR. CONDUIT OPENINGS MAY BE LOCATED IN STEPS OF 90 DEGREES REGARDLESS OF LOCATION. STANDARD AS SHOWN WITH CONDUIT OPENING DOWN.
 4: TOLERANCE UNITS ARE IN INCHES.

CERTIFIED BY: _____ DATE: _____

