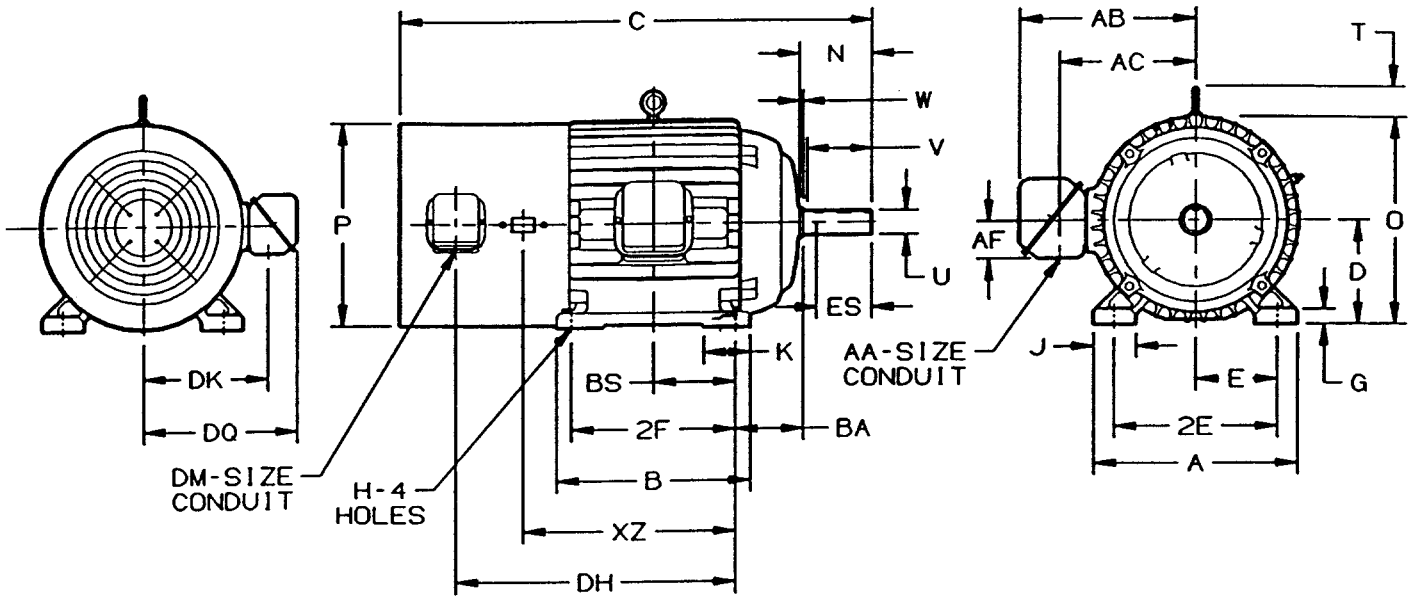


HORIZONTAL MOTORS

VECTOR CONTROL
 FRAME: 440T
 TYPE: CTB1, CTBX-CONVERSION

PRINT #: 07/2101
 EFFECTIVE: 24-FEB-99
 SUPERSEDES: NEW



ALL DIMENSIONS ARE IN INCHES AND MILLIMETERS

FRAME	UNITS	A	E	G	J	O	P ²	AA	AB	AC	AF	K
440T	IN	22.00	9.00	1.50	4.00	22.63	23.22	3.00 NPT	19.66	15.00	4.72	4.00
	MM	559	229	38	102	575	590	3.00 NPT	499	381	120	102

FRAME	UNITS	BA	U ⁴	ES	SQ	D ⁴	2E ⁴
440T	IN	7.50	3.375	6.91	.88	11.00	18.00
	MM	191	85.73	175	22	279.4	457.2

FRAME	UNITS	H ⁴	T	V	N	W	DK	DM	DQ
440T	IN	.81	3.22	8.25	8.88	.38	12.41	.75 NPT	13.97
	MM	20.7	82	210	225	10	315	.75 NPT	355

FRAME	UNITS	B	C	BS	2F ⁴	DH	XZ
444T	IN	17.50	48.31	7.25	14.50	29.50	23.75
	MM	444	1227	184	368.3	749	603
445T	IN	19.50	50.31	8.25	16.50	31.50	25.75
	MM	495	1278	210	419.1	800	654
447T	IN	23.00	53.81	10.00	20.00	35.00	29.25
	MM	584	1367	254	508.0	889	743

1: ALL ROUGH CASTING DIMENSIONS MAY VARY BY .25" DUE TO CASTING VARIATIONS.

2: LARGEST MOTOR WIDTH.

3: CONDUIT BOX MAY BE LOCATED ON EITHER SIDE OF MOTOR. CONDUIT OPENINGS MAY BE LOCATED IN STEPS OF 90 DEGREES REGARDLESS OF LOCATION. STANDARD AS SHOWN WITH CONDUIT OPENING DOWN.

4: TOLERANCE UNITS ARE IN INCHES.

CERTIFIED BY: _____ DATE: _____

