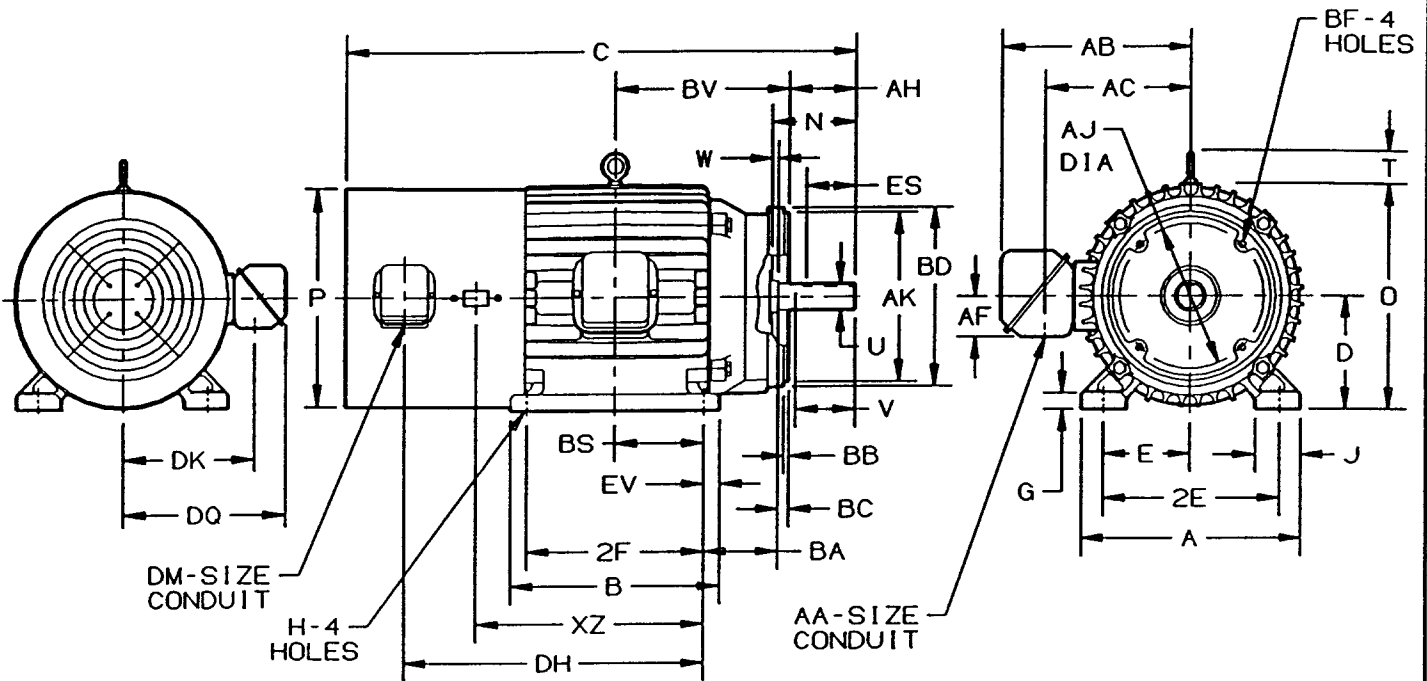


HORIZONTAL MOTORS

TENV - VARIDYNE
 FRAME: 210TC
 TYPE: CTBX, CTBI-CONVERSION

PRINT #: 07/2102
 EFFECTIVE: 25-FEB-99
 SUPERSEDES: NEW



ALL DIMENSIONS ARE IN INCHES AND MILLIMETERS

FRAME	UNITS	A	E	G	J	O	P ²	AA	AB	AC	AF	AH
210TC	IN	10.50	4.25	.50	1.75	10.81	10.94	1.00 NPT	8.88	7.06	2.00	3.12
	MM	267	108	13	44	275	278	1.00 NPT	225	179	51	79

FRAME	UNITS	AJ	BA ³	BB MIN	BD MAX	BF ⁴	ES MIN	SQ KEY	D ⁶ -.06	2E ⁶ ±.03
210TC	IN	7.25	3.50	.25	9.00	1/2-13 x .75	2.41	.31	5.25	8.50
	MM	184	89	6	229	1/2-13 x .75	61	8	133.4	215.9

FRAME	UNITS	U ⁶ -.0005	AK ⁶ -.003	H ⁶ +.05	T	V MIN	N	W	DK	DQ	DM	BC
210TC	IN	1.3750	8.500	.41	2.03	3.12	3.56	.19	6.75	8.31	.75 NPT	.25
	MM	34.925	215.90	10.4	52	79	90	5	172	211	.75 NPT	6

FRAME	UNITS	B	BV	C	BS	EV	2F ⁶ ±.03	XZ	DH
213TC	IN	7.00	6.50	22.25	2.75	.75	5.50	10.00	13.00
	MM	178	165	565	70	19	139.7	254	330
215TC	IN	8.50	7.25	23.75	3.50	.75	7.00	11.50	14.50
	MM	216	184	603	89	19	177.8	292	368

1: ALL ROUGH CASTING DIMENSIONS MAY VARY BY .25"
 DUE TO CASTING VARIATIONS.
 2: LARGEST MOTOR WIDTH.
 3: NON NEMA BA.
 4: TAP SIZE AND BOLT PENETRATION ALLOWANCE.

5: CONDUIT BOX MAY BE LOCATED ON EITHER SIDE
 OF MOTOR. CONDUIT OPENINGS MAY BE LOCATED IN
 STEPS OF 90 DEGREES REGARDLESS OF LOCATION.
 STANDARD AS SHOWN WITH CONDUIT OPENING DOWN.
 6: TOLERANCE UNITS ARE IN INCHES.

CERTIFIED BY: _____ DATE: _____

