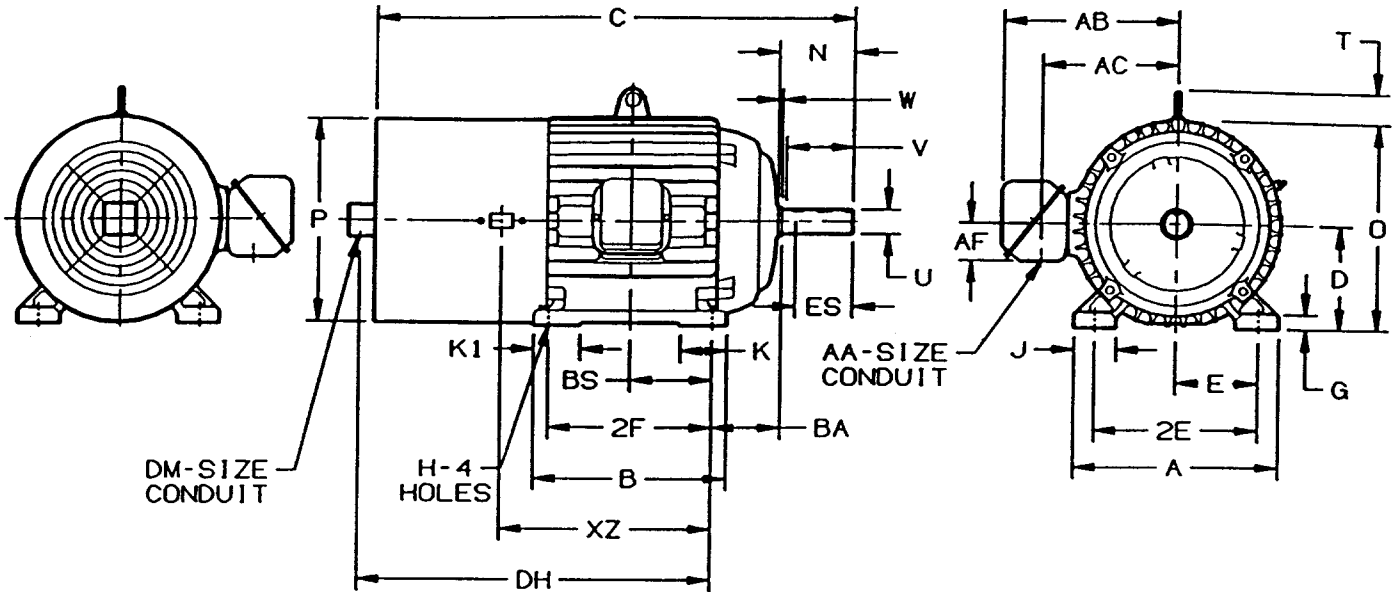


HORIZONTAL MOTORS

VECTOR CONTROL
 FRAME: 449T
 TYPE: CTBI, CTBX-CONVERSION

PRINT #: 07/2103
 EFFECTIVE: 24-FEB-99
 SUPERSEDES: NEW



ALL DIMENSIONS ARE IN INCHES AND MILLIMETERS

FRAME	UNITS	A	E	G	J	O	P ²	AA	AB	AC	AF	K
449T	IN	22.00	9.00	1.50	4.00	23.63	26.06	3.50 NPT	24.44	18.44	8.06	5.00
	MM	559	229	38	102	600	662	3.50 NPT	621	468	205	127

FRAME	UNITS	BA	U ⁴	ES	SQ ⁴	D ⁴	2E ⁴
449T	IN	7.50	3.375	6.91	.88	11.00	18.00
	MM	191	85.73	175	22	279.4	457.2

FRAME	UNITS	H ⁴	T	V	N	W	K1	DM
449T	IN	.81	3.31	8.25	8.60	.10	8.00	---
	MM	20.7	84	210	218	3	203	---

FRAME	UNITS	B	C	BS	2F ⁴	DH	XZ
449T	IN	28.00	64.13	2.50	25.00	---	35.57
	MM	711	1629	64	635.0	---	903

1: ALL ROUGH CASTING DIMENSIONS MAY VARY BY .25"
 DUE TO CASTING VARIATIONS.
 2: LARGEST MOTOR WIDTH.

3: CONDUIT BOX MAY BE LOCATED ON EITHER SIDE
 OF MOTOR. CONDUIT OPENINGS MAY BE LOCATED IN
 STEPS OF 90 DEGREES REGARDLESS OF LOCATION.
 STANDARD AS SHOWN WITH CONDUIT OPENING DOWN.
 4: TOLERANCE UNITS ARE IN INCHES.

CERTIFIED BY: _____ DATE: _____

07/2103



U.S. ELECTRICAL MOTORS
 DIVISION OF EMERSON ELECTRIC CO.



DO NOT USE FOR CONSTRUCTION
 PURPOSES UNLESS CERTIFIED